

GN 212



Handle levers

- **Lever body**

Black-oxide turned ground steel.

- **Handle**

Turned and polished black-oxide steel arm inclined by a 20° angle with DIN 319 (see page 362) black phenolic based (PF) Duroplast ball knob.

- **Assembly**

- Execution **C**: hub with standard H7 tolerance plain blind hole.

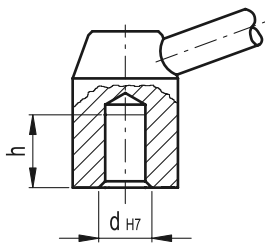
- Execution **E**: with tapped hole.

For fixing GN 212 on shafts by a grub screw see Technical Data on page A18.

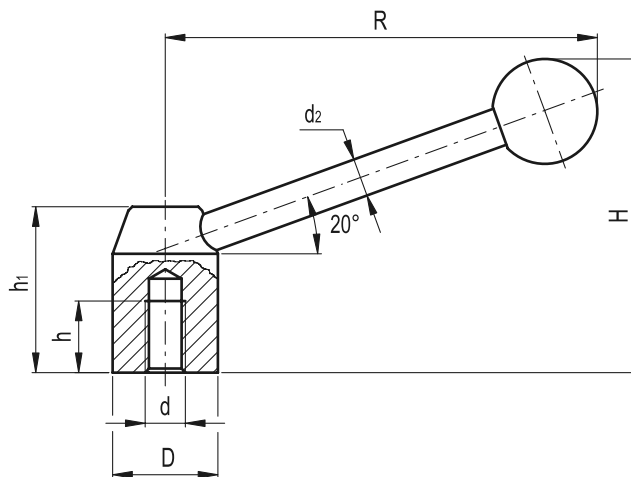
Features and applications

GN 212 handle levers are used as clamping elements as well as operating levers.

GN 212-C



GN 212-E



Standard Elements	Main dimensions					Mounting hole			△△
Description	D	R	H	h ₁	d ₂	d H7	d	h	g
GN 212-22-B10-C	22	87	66	37	8	10	-	19	114
GN 212-22-M10-E	22	87	66	37	8	-	M10	15	118
GN 212-25-B12-C	25	101	76	42	10	12	-	21	174
GN 212-25-M12-E	25	101	76	42	10	-	M12	18	182
GN 212-28-B12-C	28	116	87	47	12	12	-	23	275
GN 212-28-M12-E	28	116	87	47	12	-	M12	18	274
GN 212-32-B16-C	32	131	97	52	12	16	-	25	349
GN 212-32-M16-E	32	131	97	52	12	-	M16	23	352
GN 212-36-B16-C	36	146	108	58	14	16	-	27	471
GN 212-36-M16-E	36	146	108	58	14	-	M16	24	525
GN 212-40-B20-C	40	161	120	64	16	20	-	29	724
GN 212-40-M20-E	40	161	120	64	16	-	M20	27	709