

GN 150

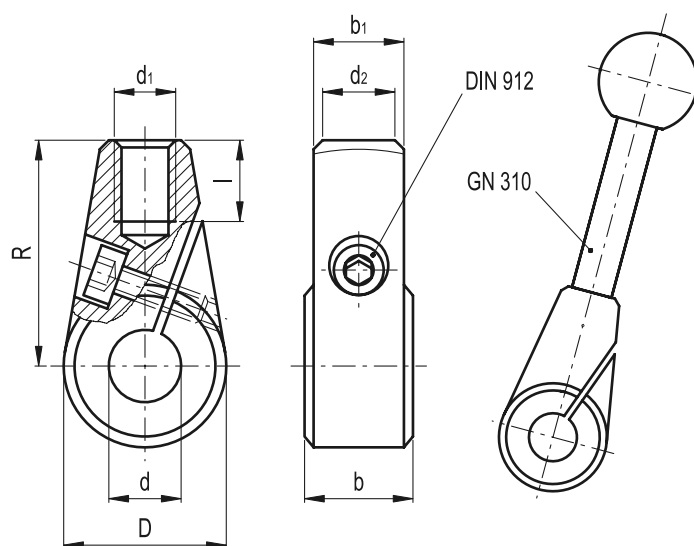
Split hubs

- **Material**
Black-oxide sintered steel.

Features and applications

GN 150 split hubs can be fitted easily to spindles and require no prior machining. The hub can be oriented to the required position. Spindle tolerance should be $\leq h11$.

For lever arms with handles to assemble on GN 150 split hubs see GN 310 (see page 390).



Standard Elements	Main dimensions							Mounting hole	⚖
Description	D	R	d ₁	d ₂	l	b _{±0.2}	b ₁	d	g
GN 150-24-B10	24	36	M8	10	11	15.5	13	10	64
GN 150-24-B12	24	36	M8	10	11	15.5	13	12	63
GN 150-28-B12	28	41	M10	12	14	17.5	15	12	108
GN 150-28-B14	28	41	M10	12	14	17.5	15	14	107
GN 150-32-B14	32	45	M12	14	16	19.5	17	14	143
GN 150-32-B16	32	45	M12	14	16	19.5	17	16	142