

Lever handles



Material

Glass-fibre reinforced polyamide based (PA) technopolymer. Resistant to solvents, oils, greases and other chemical agents.

Colour

Grey-black, matte finish.

Execution ERF.

Brass boss, tapped blind hole.

Execution ERF.N

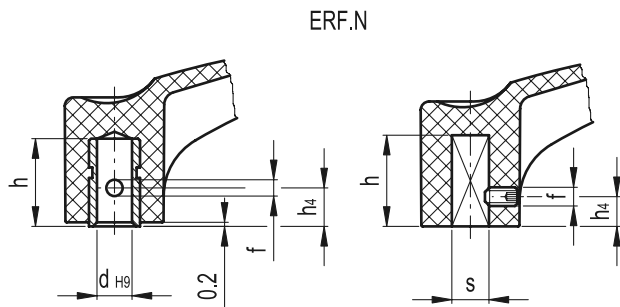
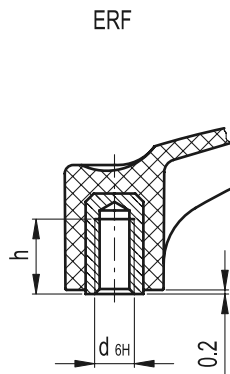
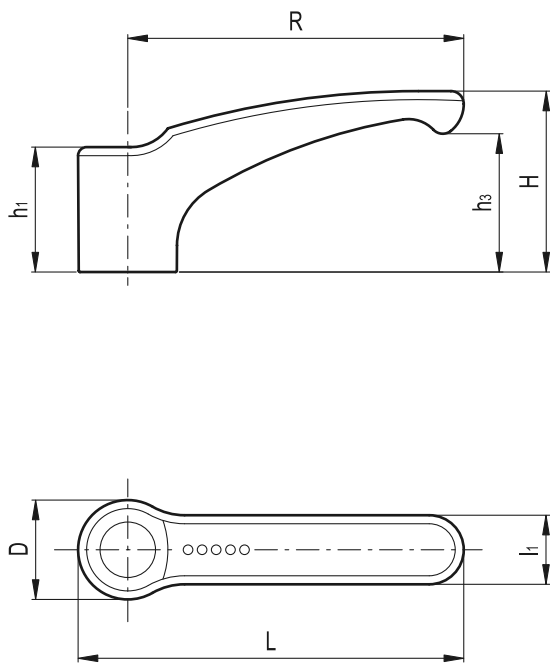
- Cylindrical blind hole, brass reinforcement and transversal semi-machined hole for pinning to shaft.

- Square blind hole with transversal set screw according to UNI 5929-85 (grub screw with hexagon socket and cup end).

Ergonomy and design

The slightly arched shape of the lever and the ergonomic terminal enlargement give the operator a comfortable and safe grip and make the design of the handle more elegant.

The design of the lever body of this series is exactly like the design of ERX. adjustable levers, which has been awarded by the following juries for Industrial Design: Die Gute Industrieform Hannover 1995, Internationaler Designpreis des Landes Baden-Württemberg 1996/97.



Standard Elements		Main dimensions									Mounting hole				Δ
Code	Description	R	L	D	H	h ₁	h ₃	l ₁	h ₄	f	d 6H	s H10	d H9	h	g
232101-C1	ERF.44 B-M6-C1	44	52	15.5	26.5	19	19	11	-	-	M6	-	-	12	9
232106-C1	ERF.44 N-5x5-C1	44	52	15.5	26.5	19	19	11	7	M4	-	5x5	-	15	5
232111-C1	ERF.44 N-6-C1	44	52	15.5	26.5	19	19	11	7	3	-	-	6	15	5
232121-C1	ERF.63 B-M8-C1	63	73.5	19	35	24.5	26.5	13.5	-	-	M8	-	-	13	19
232126-C1	ERF.63 N-6x6-C1	63	73.5	19	35	24.5	26.5	13.5	8	M4	-	6x6	-	20	11
232131-C1	ERF.63 N-8-C1	63	73.5	19	35	24.5	26.5	13.5	8	4	-	-	8	20	11
232141-C1	ERF.78 B-M10-C1	78	90.5	23	42	29.5	32	16	-	-	M10	-	-	17	42
232146-C1	ERF.78 N-8x8-C1	78	90.5	23	42	29.5	32	16	9	M5	-	8x8	-	25	31
232151-C1	ERF.78 N-10-C1	78	90.5	23	42	29.5	32	16	9	4	-	-	10	25	31
232161-C1	ERF.95 B-M12-C1	95	109	26.5	51.5	34	40	18	-	-	M12	-	-	20	48
232166-C1	ERF.95 N-10x10-C1	95	109	26.5	51.5	34	40	18	10	M5	-	10x10	-	30	37
232171-C1	ERF.95 N-12-C1	95	109	26.5	51.5	34	40	18	10	5	-	-	12	30	37