

Clamping levers

- **Material**

AISI 303 stainless steel, sandblasted matte finish.

- **Assembly**

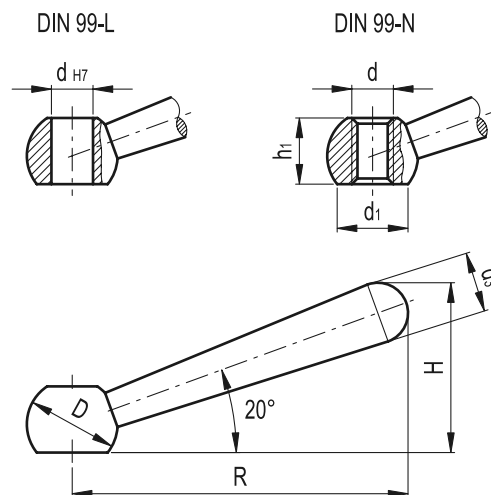
- Type **L**: plain through hole with inclined arm by a 20° angle.
- Type **N**: tapped through hole.

Special executions on request (For sufficient quantities)

- Type **A**: without bore and flats i.e. with a solid ball.
- Type **K** and **M**: with straight arm.

Features and applications

AISI 303 stainless steel, thanks to its high resistance to corrosion, allows the application of these clamping levers on machines and equipment in those sectors where laws or particular hygienic, climatic and environmental factors make it mandatory to use corrosion resistant materials.



Standard Elements	Main dimensions					Mounting hole			⚖
Description	R	D-0.2	H	d1~	d3	d H7	d	h1	g
DIN 99-50-M6-N-NI	48	12	24	7.5	8	-	M6	9.5	16
DIN 99-63-B8-L-NI	60	16	30	11	10	8	-	12	36
DIN 99-63-M8-N-NI	60	16	30	11	10	-	M8	12	36
DIN 99-80-B10-L-NI	76	20	38	15	13	10	-	14.5	77
DIN 99-80-M10-N-NI	76	20	38	15	13	-	M10	14.5	76
DIN 99-100-B12-L-NI	95	25	47	19	16	12	-	18.5	139
DIN 99-100-M12-N-NI	95	25	47	19	16	-	M12	18.5	146
DIN 99-125-M16-N-NI	119	32	59.5	23.5	20	-	M16	24	283