

# DIN 99

## Clamping levers



### • Material

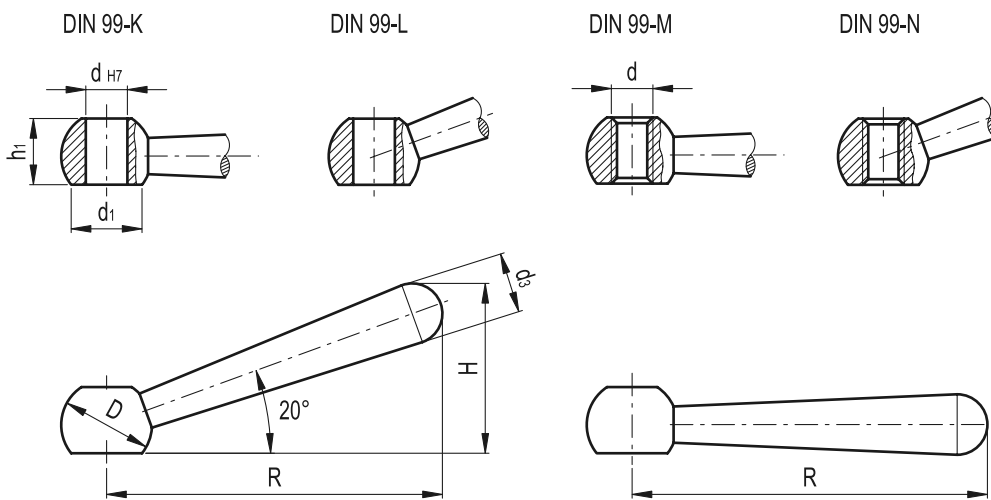
Turned and black-oxide steel.

### • Assembly

- Type **K**: plain through hole with straight arm (only for R=50 to 160).
- Type **L**: plain through hole with inclined arm by a 20° angle.
- Type **M**: tapped through hole with straight arm (only for R=50 to 160).
- Type **N**: tapped through hole with inclined arm by a 20° angle.

### Special executions on request (For sufficient quantities)

Type **A**: without bore and flats i.e. with a solid ball.



Standard Elements	Main dimensions					Mounting hole			⚖
	Description	R	D-0.2	H	d1-	d3	d H7	d	
DIN 99-50-B6-K	50	12	-	7.5	8	6	-	9.5	17
DIN 99-50-B6-L	48	12	24	7.5	8	6	-	9.5	17
DIN 99-50-M6-M	50	12	-	7.5	8	-	M6	9.5	17
DIN 99-50-M6-N	48	12	24	7.5	8	-	M6	9.5	17
DIN 99-63-B8-K	63	16	-	11	10	8	-	12	36
DIN 99-63-B8-L	60	16	30	11	10	8	-	12	36
DIN 99-63-M8-M	63	16	-	11	10	-	M8	12	38
DIN 99-63-M8-N	60	16	30	11	10	-	M8	12	38
DIN 99-80-B10-K	80	20	-	15	13	10	-	14.5	74
DIN 99-80-B10-L	76	20	38	15	13	10	-	14.5	74
DIN 99-80-M10-M	80	20	-	15	13	-	M10	14.5	76
DIN 99-80-M10-N	76	20	38	15	13	-	M10	14.5	76
DIN 99-100-B12-K	100	25	-	19	16	12	-	18.5	139
DIN 99-100-B12-L	95	25	47	19	16	12	-	18.5	139
DIN 99-100-M12-M	100	25	-	19	16	-	M12	18.5	144
DIN 99-100-M12-N	95	25	47	19	16	-	M12	18.5	144
DIN 99-125-B16-K	125	32	-	23.5	20	16	-	24	283
DIN 99-125-B16-L	119	32	59.5	23.5	20	16	-	24	283
DIN 99-125-M16-M	125	32	-	23.5	20	-	M16	24	290
DIN 99-125-M16-N	119	32	59.5	23.5	20	-	M16	24	290
DIN 99-160-B20-K	160	40	-	29.5	25	20	-	30	545
DIN 99-160-B20-L	152	40	76	29.5	25	20	-	30	545
DIN 99-160-M20-M	160	40	-	29.5	25	-	M20	30	561
DIN 99-160-M20-N	152	40	76	29.5	25	-	M20	30	561
DIN 99-200-B24-L	190	50	97	33	32	24	-	40	1128
DIN 99-200-M24-N	190	50	97	33	32	-	M24	40	1116