

DIN 6337

Clamping levers



• Lever body

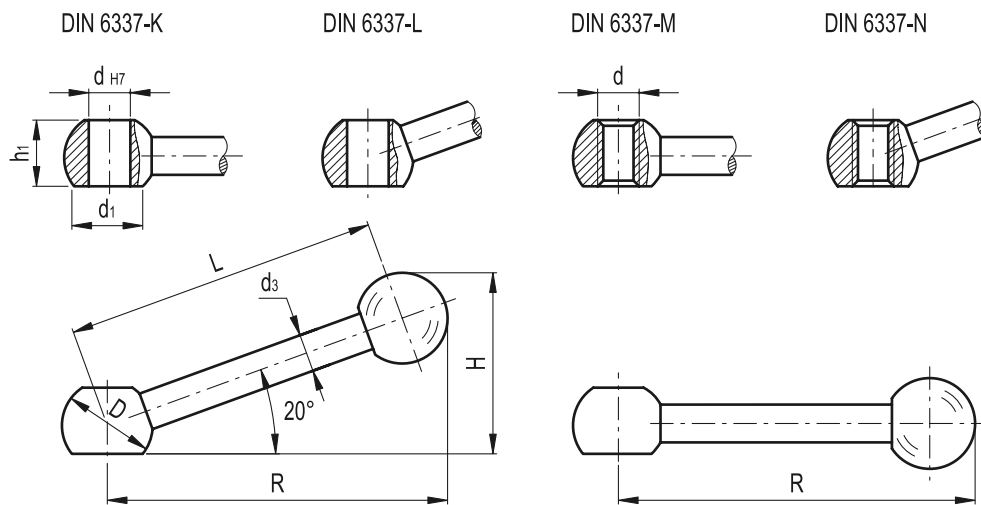
Turned and black-oxide steel.

• Assembly

- Type **K**: plain through hole with straight arm.
- Type **L**: plain through hole with inclined arm by a 20° angle.
- Type **M**: tapped through hole with straight arm.
- Type **N**: tapped through hole with inclined arm by a 20° angle.

• Handle

Phenolic based (PF) Duroplast, black colour, glossy finish type DIN 319 (see page 362). Resistant to solvents, oils, greases and other chemical agents.



Standard Elements	Main dimensions						Mounting hole			△△
	Description	R-	L	H-	D	d ₁	d ₃	d H7	d	
DIN 6337-63-B8-K	63	-	-	16	12.5	8	8	-	12	32
DIN 6337-63-B8-L	60	63	33	16	12.5	8	8	-	12	32
DIN 6337-63-M8-M	63	-	-	16	12.5	8	-	M8	12	32
DIN 6337-63-M8-N	60	63	33	16	12.5	8	-	M8	12	32
DIN 6337-80-B10-K	80	-	-	20	16	9	10	-	14.5	53
DIN 6337-80-B10-L	76	80	40	20	16	9	10	-	14.5	53
DIN 6337-80-M10-M	80	-	-	20	16	9	-	M10	14.5	54
DIN 6337-80-M10-N	76	80	40	20	16	9	-	M10	14.5	54
DIN 6337-100-B12-K	100	-	-	25	20	11	12	-	18.5	100
DIN 6337-100-B12-L	95	100	50	25	20	11	12	-	18.5	100
DIN 6337-100-M12-M	100	-	-	25	20	11	-	M12	18.5	102
DIN 6337-100-M12-N	95	100	50	25	20	11	-	M12	18.5	102
DIN 6337-125-B16-K	125	-	-	32	25	15	16	-	24	216
DIN 6337-125-B16-L	119	125	63	32	25	15	16	-	24	216
DIN 6337-125-M16-M	125	-	-	32	25	15	-	M16	24	223
DIN 6337-125-M16-N	119	125	63	32	25	15	-	M16	24	223
DIN 6337-160-B20-K	160	-	-	40	31	18	20	-	30	415
DIN 6337-160-B20-L	152	160	80	40	31	18	20	-	30	415
DIN 6337-160-M20-M	160	-	-	40	31	18	-	M20	30	425
DIN 6337-160-M20-N	152	160	80	40	31	18	-	M20	30	425