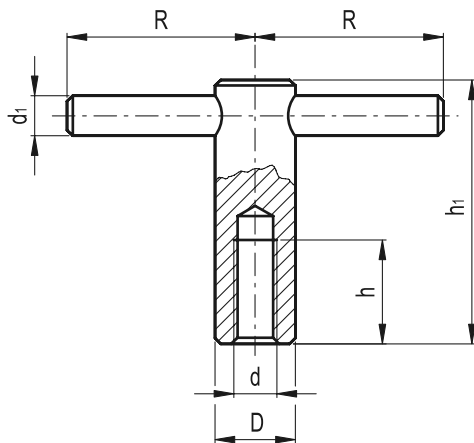


DIN 6305

Tommy nuts

- **Material**
Black-oxide steel.



Standard Elements	Main dimensions				Mounting hole		$\Delta\Delta$
	D	R	d ₁	h ₁	d	h	
Description							g
DIN 6305-M10	18	40	8	60	M10	20	125
DIN 6305-M12	20	50	10	70	M12	25	194
DIN 6305-M16	24	60	12	85	M16	35	322
DIN 6305-M20	30	70	16	95	M20	40	589

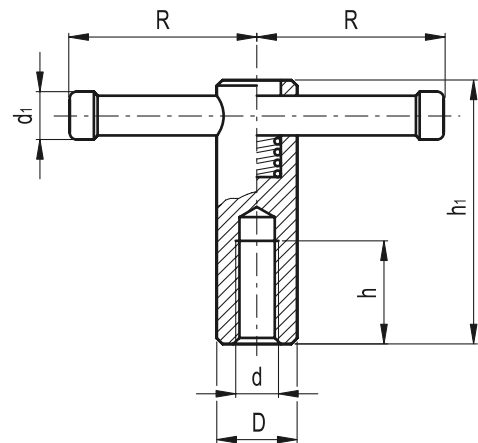
DIN 6307

Tommy nuts

- **Material**
Black-oxide steel.
- **Bar end caps**
Light grey acetal resin based (POM) technopolymer.

Features and applications

Thanks to the inner spring it can be moved to any position and maintained in the right position by it. The end caps are pressed onto the bar and thus can limit its movement. They can also be supplied separately should the bar be plated first.



Standard Elements	Main dimensions				Mounting hole		$\Delta\Delta$
	D	R	d ₁	h ₁	d	h	
Description							g
DIN 6307-M10	18	40	8	60	M10	20	110
DIN 6307-M12	20	50	10	70	M12	25	178
DIN 6307-M16	24	60	13	85	M16	35	320
DIN 6307-M20	30	70	16	95	M20	40	568