

# MRX.p

ELESA Original design

## Adjustable handles



- **Lever body**

Glass-fibre reinforced polyamide based (PA) technopolymer. Resistant to solvents, oils, greases and other chemical agents.

- **Colour**

Black, matte finish.

- **Push button**

Technopolymer, black colour, matte finish.

- **Clamping element with retaining pin**

Glass-fibre reinforced technopolymer, black colour, with knurling on the protruding part to make initial tightening easier. AISI 302 stainless steel return spring.

- **Assembly**

Zinc-plated steel threaded stud, chamfered flat end according to UNI 947 : ISO 4753 (see Technical Data on page A11).

**Special executions on request** (For sufficient quantities)

Lever body RAL 2004 orange, RAL 6011 green, RAL 7031 grey.

**Features and applications**

Particularly suitable when the lever turning angle is limited owing to lack of space.

Compared to other types of adjustable handles with metal retaining screw this solution offers:

- absolute electric insulation for the operator's hand
- no visible steel parts subject to rust
- more comfortable lever release.

**Stress resistance**

See MR.p on page 252.

**Instructions of use**

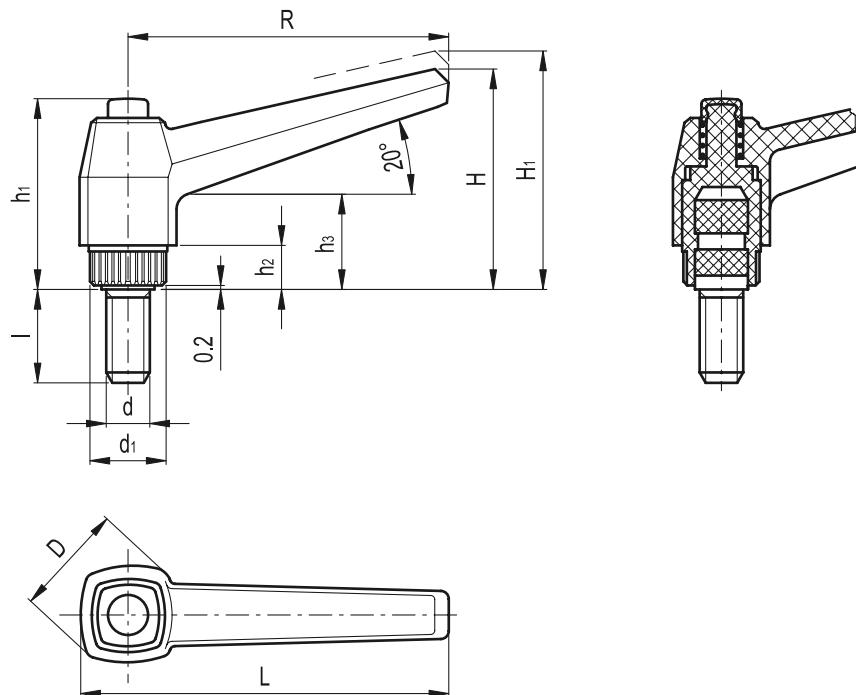
For clamping, lift the lever to disengage the clamping device toothing and bring it back to start position. By releasing the lever, the return spring automatically engages the toothing.




3

246

Clamping levers



Standard Elements		Main dimensions									Threaded stud		Teeth no.	
Code	Description	R	L	D	H	H1	h1	h2	h3	d1	d 6g	l	z	g
141201	MRX.40 p-M5x10	42	50	18	32	35.5	29	6	14	12	M5	10	18	10
141211	MRX.40 p-M5x16	42	50	18	32	35.5	29	6	14	12	M5	16	18	11
141221	MRX.40 p-M5x20	42	50	18	32	35.5	29	6	14	12	M5	20	18	12
141301	MRX.40 p-M6x10	42	50	18	32	35.5	29	6	14	12	M6	10	18	12
141311	MRX.40 p-M6x16	42	50	18	32	35.5	29	6	14	12	M6	16	18	13
141321	MRX.40 p-M6x20	42	50	18	32	35.5	29	6	14	12	M6	20	18	14
141331	MRX.40 p-M6x25	42	50	18	32	35.5	29	6	14	12	M6	25	18	15
141335	MRX.40 p-M6x30	42	50	18	32	35.5	29	6	14	12	M6	30	18	16
141341	MRX.40 p-M6x40	42	50	18	32	35.5	29	6	14	12	M6	40	18	18
141431	MRX.63 p-M6x10	63	73	23	43	46.5	37	8	17	15	M6	10	20	25
141441	MRX.63 p-M6x16	63	73	23	43	46.5	37	8	17	15	M6	16	20	26
141451	MRX.63 p-M6x20	63	73	23	43	46.5	37	8	17	15	M6	20	20	27
141461	MRX.63 p-M6x25	63	73	23	43	46.5	37	8	17	15	M6	25	20	28
141466	MRX.63 p-M6x30	63	73	23	43	46.5	37	8	17	15	M6	30	20	29
141470	MRX.63 p-M6x35	63	73	23	43	46.5	37	8	17	15	M6	35	20	30
141471	MRX.63 p-M6x40	63	73	23	43	46.5	37	8	17	15	M6	40	20	31
141501	MRX.63 p-M8x16	63	73	23	43	46.5	37	8	17	15	M8	16	20	28
141511	MRX.63 p-M8x20	63	73	23	43	46.5	37	8	17	15	M8	20	20	29
141521	MRX.63 p-M8x25	63	73	23	43	46.5	37	8	17	15	M8	25	20	31
141531	MRX.63 p-M8x30	63	73	23	43	46.5	37	8	17	15	M8	30	20	32
141535	MRX.63 p-M8x35	63	73	23	43	46.5	37	8	17	15	M8	35	20	35
141541	MRX.63 p-M8x40	63	73	23	43	46.5	37	8	17	15	M8	40	20	36
141551	MRX.63 p-M8x45	63	73	23	43	46.5	37	8	17	15	M8	45	20	37
141561	MRX.63 p-M8x50	63	73	23	43	46.5	37	8	17	15	M8	50	20	38
141569	MRX.63 p-M8x60	63	73	23	43	46.5	37	8	17	15	M8	60	20	40
142201	MRX.80 p-M10x20	80	92	28	54	58.5	47	10	22	19	M10	20	24	54
142211	MRX.80 p-M10x25	80	92	28	54	58.5	47	10	22	19	M10	25	24	57
142221	MRX.80 p-M10x30	80	92	28	54	58.5	47	10	22	19	M10	30	24	60
142225	MRX.80 p-M10x35	80	92	28	54	58.5	47	10	22	19	M10	35	24	62
142231	MRX.80 p-M10x40	80	92	28	54	58.5	47	10	22	19	M10	40	24	62
142241	MRX.80 p-M10x50	80	92	28	54	58.5	47	10	22	19	M10	50	24	68
142245	MRX.80 p-M10x60	80	92	28	54	58.5	47	10	22	19	M10	60	24	73
142251	MRX.80 p-M10x70	80	92	28	54	58.5	47	10	22	19	M10	70	24	79
142301	MRX.80 p-M12x20	80	92	28	54	58.5	47	10	22	19	M12	20	24	62
142311	MRX.80 p-M12x25	80	92	28	54	58.5	47	10	22	19	M12	25	24	67
142321	MRX.80 p-M12x30	80	92	28	54	58.5	47	10	22	19	M12	30	24	68
142325	MRX.80 p-M12x35	80	92	28	54	58.5	47	10	22	19	M12	35	24	82
142331	MRX.80 p-M12x40	80	92	28	54	58.5	47	10	22	19	M12	40	24	75
142335	MRX.80 p-M12x45	80	92	28	54	58.5	47	10	22	19	M12	45	24	80
142341	MRX.80 p-M12x50	80	92	28	54	58.5	47	10	22	19	M12	50	24	83
142351	MRX.80 p-M12x60	80	92	28	54	58.5	47	10	22	19	M12	60	24	92
142361	MRX.80 p-M12x70	80	92	28	54	58.5	47	10	22	19	M12	70	24	98
142365	MRX.80 p-M12x80	80	92	28	54	58.5	47	10	22	19	M12	80	24	105
142601	MRX.100 p-M12x30	100	114	33	65	69.5	54	12	25	25	M12	30	28	96
142651	MRX.100 p-M12x50	100	114	33	65	69.5	54	12	25	25	M12	50	28	112
142701	MRX.100 p-M12x70	100	114	33	65	69.5	54	12	25	25	M12	70	28	127
142801	MRX.100 p-M14x30	100	114	33	65	69.5	54	12	25	25	M14	30	28	112
142831	MRX.100 p-M14x50	100	114	33	65	69.5	54	12	25	25	M14	50	28	132
142851	MRX.100 p-M14x70	100	114	33	65	69.5	54	12	25	25	M14	70	28	152
142901	MRX.100 p-M16x30	100	114	33	65	69.5	54	12	25	25	M16	30	28	138
142951	MRX.100 p-M16x50	100	114	33	65	69.5	54	12	25	25	M16	50	28	163
142981	MRX.100 p-M16x70	100	114	33	65	69.5	54	12	25	25	M16	70	28	190