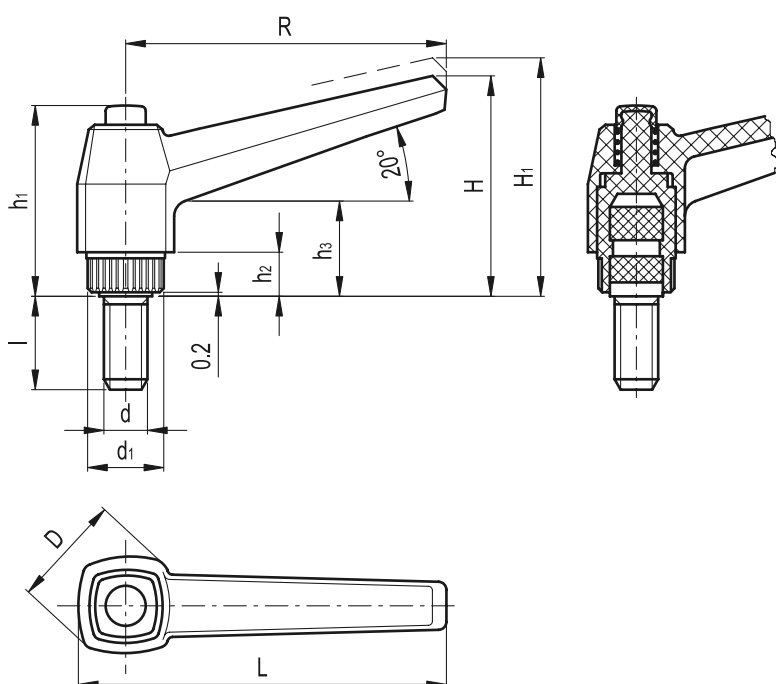


Adjustable handles



- Lever body**
 Glass-fibre reinforced polyamide based (PA) technopolymer. Resistant to solvents, oils, greases and other chemical agents.
- Colour**
 Black, matte finish.
- Push button**
 Technopolymer, black colour, matte finish.
- Clamping element with retaining pin**
 Glass-fibre reinforced technopolymer, black colour, with knurling on the protruding part to make initial tightening easier. AISI 302 stainless steel return spring.
- Assembly**
 AISI 303 stainless steel threaded stud, chamfered flat end according to UNI 947 : ISO 4753 (see Technical Data on page A11).



Special executions on request (For sufficient quantities)
 Lever body RAL 2004 orange, RAL 6011 green, RAL 7031 grey.

Features and applications

Particularly suitable when the lever turning angle is limited owing to lack of space.

Compared to other types of adjustable handles with metal retaining screw this solution offers:

- absolute electric insulation for the operator's hand
- more comfortable lever release.

AISI 303 stainless steel, thanks to its high resistance to corrosion, allows the application of these adjustable handles on machines and equipment working in those sectors where laws or particular hygienic, climatic and environmental factors make it mandatory to use corrosion resistant materials.

Stress resistance

See MR.p on page 252.

Instructions of use

For clamping, lift the lever to disengage the clamping device toothing and bring it back to start position. By releasing the lever, the return spring automatically engages the toothing.

Standard Elements		Main dimensions									Threaded stud		Teeth no.	$\Delta\Delta$
Code	Description	R	L	D	H	H1	h1	h2	h3	d1	d 6g	l	z	g
141371	MRX.40 S-p-M6x16-INOX	42	50	18	32	35.5	29	6	14	12	M6	16	18	13
141372	MRX.40 S-p-M6x20-INOX	42	50	18	32	35.5	29	6	14	12	M6	20	18	14
141373	MRX.40 S-p-M6x25-INOX	42	50	18	32	35.5	29	6	14	12	M6	25	18	15
141374	MRX.40 S-p-M6x30-INOX	42	50	18	32	35.5	29	6	14	12	M6	30	18	16
141700	MRX.63 S-p-M8x16-INOX	63	73	23	43	46.5	37	8	17	15	M8	16	20	28
141701	MRX.63 S-p-M8x20-INOX	63	73	23	43	46.5	37	8	17	15	M8	20	20	29
141702	MRX.63 S-p-M8x25-INOX	63	73	23	43	46.5	37	8	17	15	M8	25	20	31
141711	MRX.63 S-p-M8x30-INOX	63	73	23	43	46.5	37	8	17	15	M8	30	20	32
141713	MRX.63 S-p-M8x40-INOX	63	73	23	43	46.5	37	8	17	15	M8	40	20	36
141715	MRX.63 S-p-M8x50-INOX	63	73	23	43	46.5	37	8	17	15	M8	50	20	38
142381	MRX.80 S-p-M10x20-INOX	80	92	28	54	58.5	47	10	22	19	M10	20	24	54
142385	MRX.80 S-p-M10x30-INOX	80	92	28	54	58.5	47	10	22	19	M10	30	24	60
142387	MRX.80 S-p-M10x40-INOX	80	92	28	54	58.5	47	10	22	19	M10	40	24	62
142391	MRX.80 S-p-M12x30-INOX	80	92	28	54	58.5	47	10	22	19	M12	30	24	68
142393	MRX.80 S-p-M12x40-INOX	80	92	28	54	58.5	47	10	22	19	M12	40	24	75
142395	MRX.80 S-p-M12x50-INOX	80	92	28	54	58.5	47	10	22	19	M12	50	24	83
143001	MRX.100 S-p-M12x30-INOX	100	114	33	65	69.5	54	12	25	25	M12	30	28	97
143003	MRX.100 S-p-M12x40-INOX	100	114	33	65	69.5	54	12	25	25	M12	40	28	105
143005	MRX.100 S-p-M12x50-INOX	100	114	33	65	69.5	54	12	25	25	M12	50	28	113
143009	MRX.100 S-p-M12x70-INOX	100	114	33	65	69.5	54	12	25	25	M12	70	28	128