

MR.

ELESA Original design

Adjustable handles



• Lever body

Glass-fibre reinforced polyamide based (PA) technopolymer. Resistant to solvents, oils, greases and other chemical agents.

• Colour

Black, orange, grey, matte finish.
For sufficient quantities RAL 6011 green.

• Clamping element

Glass-fibre reinforced technopolymer, black colour, with knurling on the protruding part to make initial tightening easier.

• Assembly

- Execution **A**: black-oxide steel boss, plain or tapped blind hole. Black-oxide steel retaining screw, AISI 302 stainless steel return spring.
- Execution **B**: brass boss, tapped blind hole. Brass retaining screw, AISI 302 stainless steel return spring.

Features and applications

Particularly suitable when the lever turning angle is limited owing to lack of space.

MR. adjustable handles can be quickly screwed during assembly by means of electric or pneumatic screwdrivers with controlled tightening torque system.

Instructions of use

For clamping, lift the lever to disengage the clamping device toothing and bring it back to start position. By releasing the lever, the return spring automatically engages the toothing.

If the lever cannot make a 360° rotation, the clamping element can be easily screwed by means of the hexagon socket front head screw (after having disengaged the lever).

Stress resistance

Adjustable handles are generally used for repetitive clamping operations sometimes with very high-frequency.

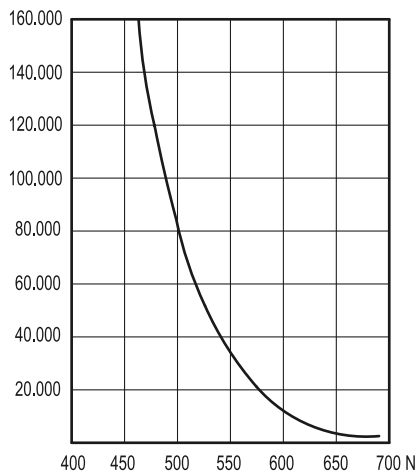
Therefore, the stress resistance (i.e. the resistance to repeated tightening cycles) of the handle unit is particularly important and, especially, the strength of the toothed element which transmits the tightening force from the handle to the threaded element (boss or stud).

In fact, the results of several laboratory tests, performed with a special instrument that simulates the most severe use conditions, have shown that e.g. MR.80 adjustable handle can withstand without yielding more than 100,000 tightening cycles, under the action of a force of 490 N (see graphic).

The special glass-fibre reinforced technopolymer enables the ELESA adjustable handles to guarantee stress resistance values which are much higher than the ones generated under normal working conditions.



NUMBER OF TIGHTENINGS



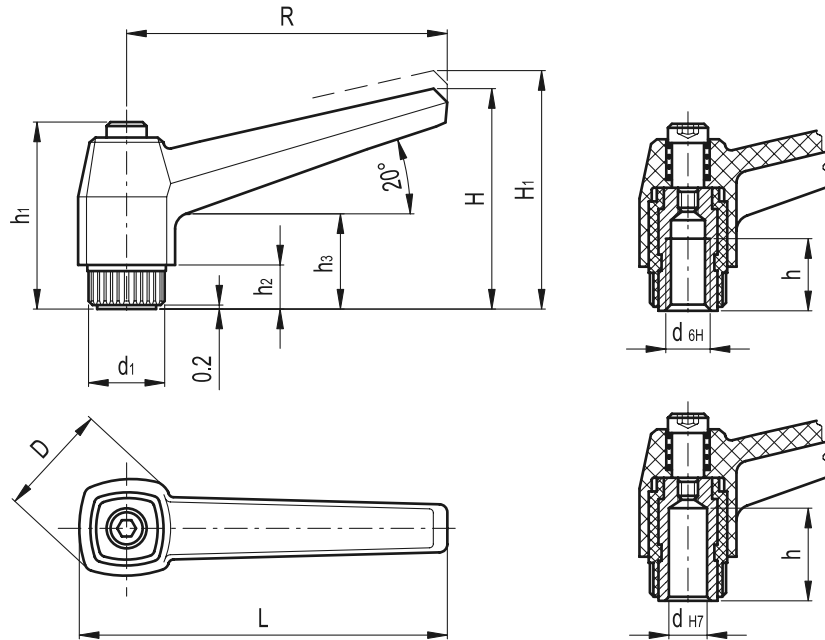
eleSA-GANTER

ELESA and GANTER models all rights reserved in accordance with the law. Always mention the source when reproducing our drawings.

3

250

Clamping levers



RAL 9005

RAL 2004

RAL 7031

Standard Elements				Main dimensions									Mounting hole			Teeth no.	Bosses		△△
Black	Orange	Grey	Description	R	L	D	H	H1	h1	h2	h3	d1	d H7	d 6H	h	z	Steel	Brass	g
Code				R	L	D	H	H1	h1	h2	h3	d1	d H7	d 6H	h	z	Steel	Brass	g
41101	41102	41104	MR.40 A-5*	42	50	18	32	36.5	29	6	14	12	5	-	10	18	•	-	14
41121	41122	41124	MR.40 A-M4*	42	50	18	32	36.5	29	6	14	12	-	M4	10	18	•	-	14
41131	41132	41134	MR.40 A-M5*	42	50	18	32	36.5	29	6	14	12	-	M5	10	18	•	-	14
41141	41142	41144	MR.40 A-M6*	42	50	18	32	36.5	29	6	14	12	-	M6	10	18	•	-	13
41171	41172	41174	MR.40 B-M6*	42	50	18	32	36.5	29	6	14	12	-	M6	10	18	-	•	14
41401	41402	41404	MR.63 A-6*	63	73	23	43	47	36	8	17	15	6	-	15	20	•	-	25
41411	41412	41414	MR.63 A-M6*	63	73	23	43	47	36	8	17	15	-	M6	12	20	•	-	27
41421	41422	41424	MR.63 A-M8*	63	73	23	43	47	36	8	17	15	-	M8	12	20	•	-	24
41426	41427	41429	MR.63 B-M8*	63	73	23	43	47	36	8	17	15	-	M8	12	20	-	•	25
42001	42002	42004	MR.80 A-8*	80	92	28	54	59.5	45	10	22	19	8	-	20	24	•	-	56
42111	42112	42114	MR.80 A-M8*	80	92	28	54	59.5	45	10	22	19	-	M8	17	24	•	-	57
42121	42122	42124	MR.80 A-M10*	80	92	28	54	59.5	45	10	22	19	-	M10	17	24	•	-	54
42131	42132	42134	MR.80 A-M12*	80	92	28	54	59.5	45	10	22	19	-	M12	17	24	•	-	48
42151	42152	42154	MR.80 B-M10*	80	92	28	54	59.5	45	10	22	19	-	M10	17	24	-	•	56
42401	42402	42404	MR.100 A-10*	100	114	33	65	70.5	53	12	25	25	10	-	25	28	•	-	114
42501	42502	42504	MR.100 A-M10*	100	114	33	65	70.5	53	12	25	25	-	M10	20	28	•	-	114
42511	42512	42514	MR.100 A-M12*	100	114	33	65	70.5	53	12	25	25	-	M12	20	28	•	-	112
42521	42522	42524	MR.100 A-M14*	100	114	33	65	70.5	53	12	25	25	-	M14	20	28	•	-	104
42531	42532	42534	MR.100 A-M16*	100	114	33	65	70.5	53	12	25	25	-	M16	20	28	•	-	95

* Complete the description of the standard item needed by adding one of the colours listed in the code column.