

GN 6337.3

Adjustable handles with push action



• Lever body

Turned and polished black-oxide steel.

• Handle

Phenolic based (PF) Duroplast, black colour, glossy finish type DIN 319 (see page 362). Resistant to solvents, oils, greases and other chemical agents.

Arm available in two executions:

- straight arm (type M)
- inclined arm by a 20° angle (type N).

• Clamping element

Black-oxide steel threaded stud with toothed element for coupling to the lever body, black-oxide steel retaining screw, treated steel return spring.

Features and applications

Particularly suitable when the lever turning angle is limited owing to lack of space.

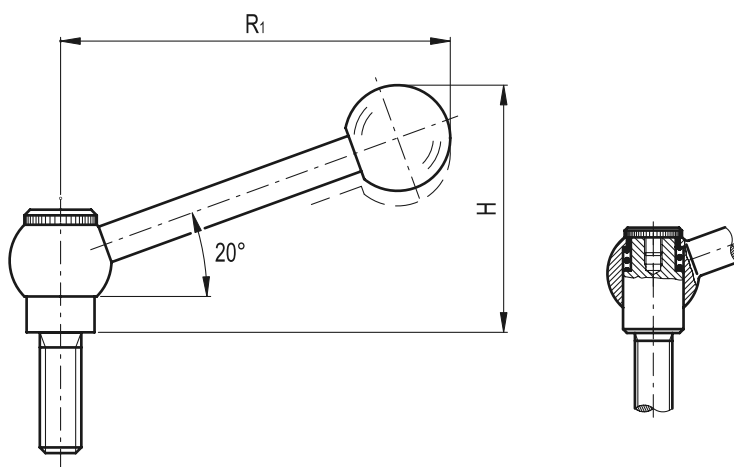
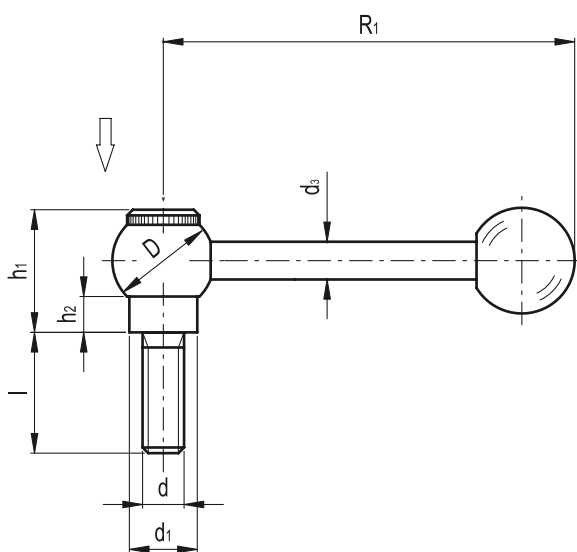
Instructions of use

By pressing the lever, tothing is disengaged and the handle can be placed in the most suitable position for the operation. As it is released, the handle is automatically engaged.

If the lever cannot make a 360° rotation, the clamping element can be easily screwed by means of the knurled screw (after having disengaged the lever).

GN 6337.3-M

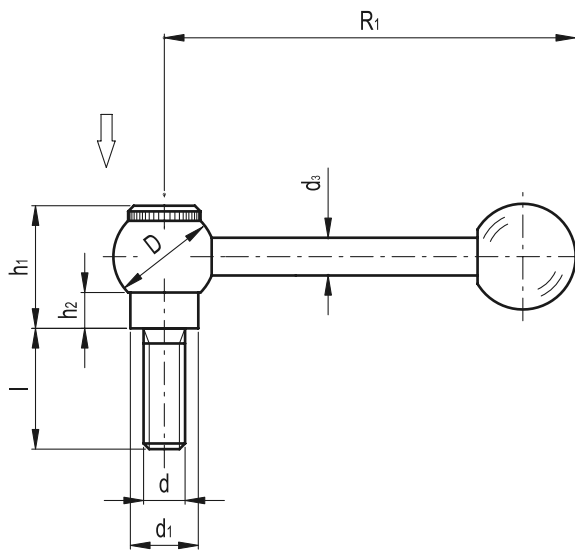
GN 6337.3-N



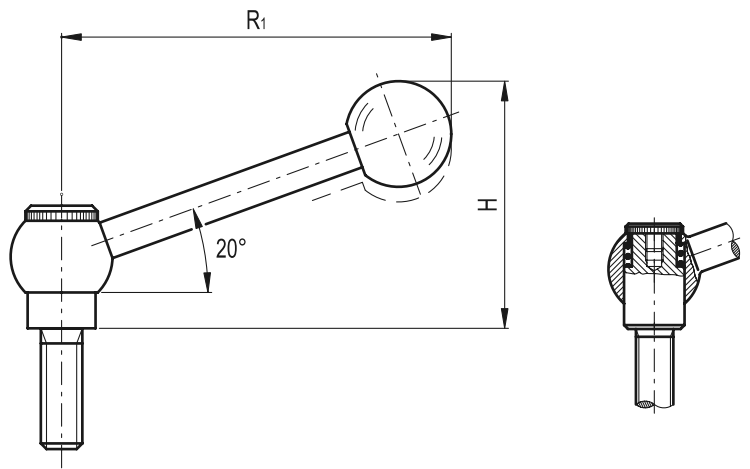
Standard Elements	Main dimensions							Thread		⚖
Description	D~	R1	H~	h1	h2	d1	d3	d	l	g
GN 6337.3-20-M8-20-M	20	74	-	25	8	13.5	8.5	M8	20	69
GN 6337.3-20-M8-20-N	20	70	46	25	8	13.5	8.5	M8	20	69
GN 6337.3-20-M8-25-M	20	74	-	25	8	13.5	8.5	M8	25	70
GN 6337.3-20-M8-25-N	20	70	46	25	8	13.5	8.5	M8	25	70
GN 6337.3-20-M8-32-M	20	74	-	25	8	13.5	8.5	M8	32	73
GN 6337.3-20-M8-32-N	20	70	46	25	8	13.5	8.5	M8	32	73
GN 6337.3-20-M8-40-M	20	74	-	25	8	13.5	8.5	M8	40	75
GN 6337.3-20-M8-40-N	20	70	46	25	8	13.5	8.5	M8	40	75
GN 6337.3-20-M8-50-M	20	74	-	25	8	13.5	8.5	M8	50	78
GN 6337.3-20-M8-50-N	20	70	46	25	8	13.5	8.5	M8	50	78
GN 6337.3-20-M8-63-M	20	74	-	25	8	13.5	8.5	M8	63	82
GN 6337.3-20-M8-63-N	20	70	46	25	8	13.5	8.5	M8	63	82

GN 6337.3

GN 6337.3-M



GN 6337.3-N



Standard Elements	Main dimensions							Thread		\triangle/\triangle
Description	D~	R1	H~	h1	h2	d1	d3	d	l	g
GN 6337.3-25-M10-20-M	25	93	-	29	8	16	11	M10	20	129
GN 6337.3-25-M10-20-N	25	87	58	29	8	16	11	M10	20	129
GN 6337.3-25-M10-25-M	25	93	-	29	8	16	11	M10	25	132
GN 6337.3-25-M10-25-N	25	87	58	29	8	16	11	M10	25	132
GN 6337.3-25-M10-32-M	25	93	-	29	8	16	11	M10	32	136
GN 6337.3-25-M10-32-N	25	87	58	29	8	16	11	M10	32	136
GN 6337.3-25-M10-40-M	25	93	-	29	8	16	11	M10	40	138
GN 6337.3-25-M10-40-N	25	87	58	29	8	16	11	M10	40	138
GN 6337.3-25-M10-50-M	25	93	-	29	8	16	11	M10	50	144
GN 6337.3-25-M10-50-N	25	87	58	29	8	16	11	M10	50	144
GN 6337.3-25-M10-63-M	25	93	-	29	8	16	11	M10	63	151
GN 6337.3-25-M10-63-N	25	87	58	29	8	16	11	M10	63	151
GN 6337.3-28-M12-25-M	28	116	-	33.5	10.5	19	13	M12	25	217
GN 6337.3-28-M12-25-N	28	109	70.5	33.5	10.5	19	13	M12	25	217
GN 6337.3-28-M12-32-M	28	116	-	33.5	10.5	19	13	M12	32	222
GN 6337.3-28-M12-32-N	28	109	70.5	33.5	10.5	19	13	M12	32	222
GN 6337.3-28-M12-40-M	28	116	-	33.5	10.5	19	13	M12	40	228
GN 6337.3-28-M12-40-N	28	109	70.5	33.5	10.5	19	13	M12	40	228
GN 6337.3-28-M12-50-M	28	116	-	33.5	10.5	19	13	M12	50	235
GN 6337.3-28-M12-50-N	28	109	70.5	33.5	10.5	19	13	M12	50	235
GN 6337.3-28-M12-63-M	28	116	-	33.5	10.5	19	13	M12	63	243
GN 6337.3-28-M12-63-N	28	109	70.5	33.5	10.5	19	13	M12	63	243
GN 6337.3-28-M12-80-M	28	116	-	33.5	10.5	19	13	M12	80	255
GN 6337.3-28-M12-80-N	28	109	70.5	33.5	10.5	19	13	M12	80	255