

GN 6337.3

Adjustable handles with push action

- **Lever body**

Turned and polished black-oxide steel.

- **Handle**

Phenolic based (PF) Duroplast, black colour, glossy finish type DIN 319 (see page 362). Resistant to solvents, oils, greases and other chemical agents.

Arm available in two executions:

- straight arm (type M)
- inclined arm by a 20° angle (type N).

- **Clamping element**

Black-oxide steel with threaded hole and toothed element for coupling to the lever body, black-oxide steel retaining screw, treated steel return spring.

Features and applications

Particularly suitable when the lever turning angle is limited owing to lack of space.

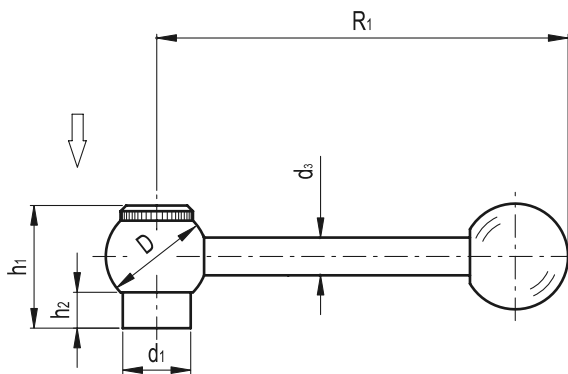
Instructions of use

By pressing the lever, tothing is disengaged and the handle can be placed in the most suitable position for the operation. As it is released, the handle is automatically engaged.

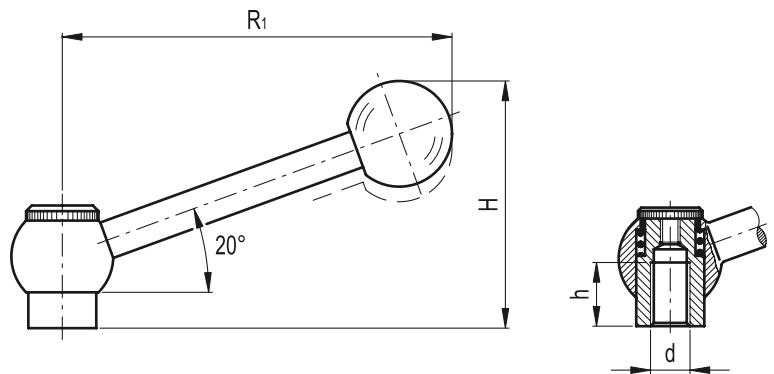
If the lever cannot make a 360° rotation, the clamping element can be easily screwed by means of the knurled screw (after having disengaged the lever).



GN 6337.3-M



GN 6337.3-N



| Standard Elements | Main dimensions | | | | | | | Mounting hole | | △ |
|--------------------|-----------------|-----|------|------|------|------|-----|---------------|----|-----|
| | Description | D | R1 | H | h1 | h2 | d1 | d3 | d | |
| GN 6337.3-20-M6-M | 20 | 74 | - | 25 | 8 | 13.5 | 8.5 | M6 | 12 | 61 |
| GN 6337.3-20-M6-N | 20 | 70 | 46 | 25 | 8 | 13.5 | 8.5 | M6 | 12 | 61 |
| GN 6337.3-20-M8-M | 20 | 74 | - | 25 | 8 | 13.5 | 8.5 | M8 | 12 | 58 |
| GN 6337.3-20-M8-N | 20 | 70 | 46 | 25 | 8 | 13.5 | 8.5 | M8 | 12 | 58 |
| GN 6337.3-25-M8-M | 25 | 93 | - | 29 | 8 | 16 | 11 | M8 | 15 | 114 |
| GN 6337.3-25-M8-N | 25 | 87 | 58 | 29 | 8 | 16 | 11 | M8 | 15 | 114 |
| GN 6337.3-25-M10-M | 25 | 93 | - | 29 | 8 | 16 | 11 | M10 | 15 | 111 |
| GN 6337.3-25-M10-N | 25 | 87 | 58 | 29 | 8 | 16 | 11 | M10 | 15 | 111 |
| GN 6337.3-28-M10-M | 28 | 116 | - | 33.5 | 10.5 | 19 | 13 | M10 | 18 | 189 |
| GN 6337.3-28-M10-N | 28 | 109 | 70.5 | 33.5 | 10.5 | 19 | 13 | M10 | 18 | 189 |
| GN 6337.3-28-M12-M | 28 | 116 | - | 33.5 | 10.5 | 19 | 13 | M12 | 18 | 183 |
| GN 6337.3-28-M12-N | 28 | 109 | 70.5 | 33.5 | 10.5 | 19 | 13 | M12 | 18 | 183 |