

# GN 312

## Safety tension levers

- **Material**  
Black-oxide steel.
- **Handle**  
Plastic ball knob DIN 319 (see page 362), black colour.
- **Clamping element**  
Black-oxide steel with threaded hole with return spring and toothed element for coupling to the lever body.
- **Standard executions available**
  - Execution **E**: angled lever.
  - Execution **D**: straight lever.



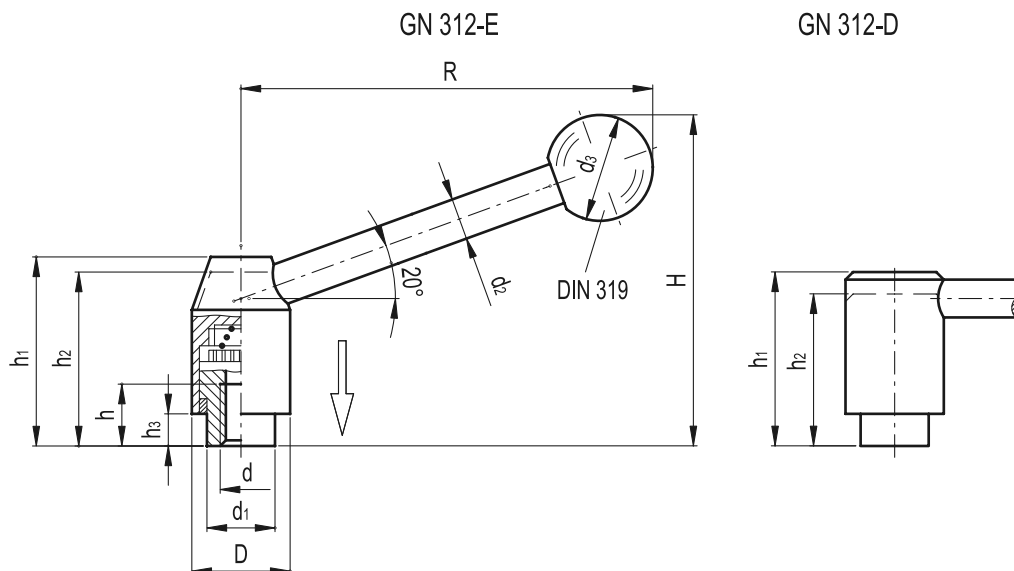
### Features and applications

Safety tension levers GN 312 are used on such applications where a thoughtless or mistaken releasing or re-positioning of the tension lever could lead to an accident.

The lever in its rest position is not connected with the internal spindle and can be rotated unhindered.

The tension lever engages in the serration only after pushing it down, thus allowing clamping or unclamping.

The "freewheel" position is re-established as soon as the handle is released.



Standard Elements	Main dimensions									Mounting hole		△△
	D	R	H~	h1	h2	h3	d1	d2	d3	d	h	
GN 312-21-M6-E	21	75.5	62	37	34	4.5	13.5	8	20	M6	10	101
GN 312-21-M6-D	21	80.5	-	34.5	31.5	4.5	13.5	8	20	M6	10	101
GN 312-21-M8-E	21	75.5	62	37	34	4.5	13.5	8	20	M8	10	99
GN 312-21-M8-D	21	80.5	-	34.5	31.5	4.5	13.5	8	20	M8	10	99
GN 312-24-M8-E	24	101	79	44	40.5	6.5	16	10	25	M8	14	165
GN 312-24-M8-D	24	108	-	41	37.5	6.5	16	10	25	M8	14	167
GN 312-24-M10-E	24	101	79	44	40.5	6.5	16	10	25	M10	14	161
GN 312-24-M10-D	24	108	-	41	37.5	6.5	16	10	25	M10	14	163
GN 312-28-M10-E	28	116	93	53	49	8.5	19	12	30	M10	17	286
GN 312-28-M10-D	28	124	-	49	45	8.5	19	12	30	M10	17	273
GN 312-28-M12-E	28	116	93	53	49	8.5	19	12	30	M12	17	270
GN 312-28-M12-D	28	124	-	49	45	8.5	19	12	30	M12	17	267
GN 312-33-M12-E	33	131.5	105	60	55.5	10.5	23	12	32	M12	22	407
GN 312-33-M12-D	33	140.5	-	56	51.5	10.5	23	12	32	M12	22	399
GN 312-33-M16-E	33	131.5	105	60	55.5	10.5	23	12	32	M16	22	390
GN 312-33-M16-D	33	140.5	-	56	51.5	10.5	23	12	32	M16	22	382