

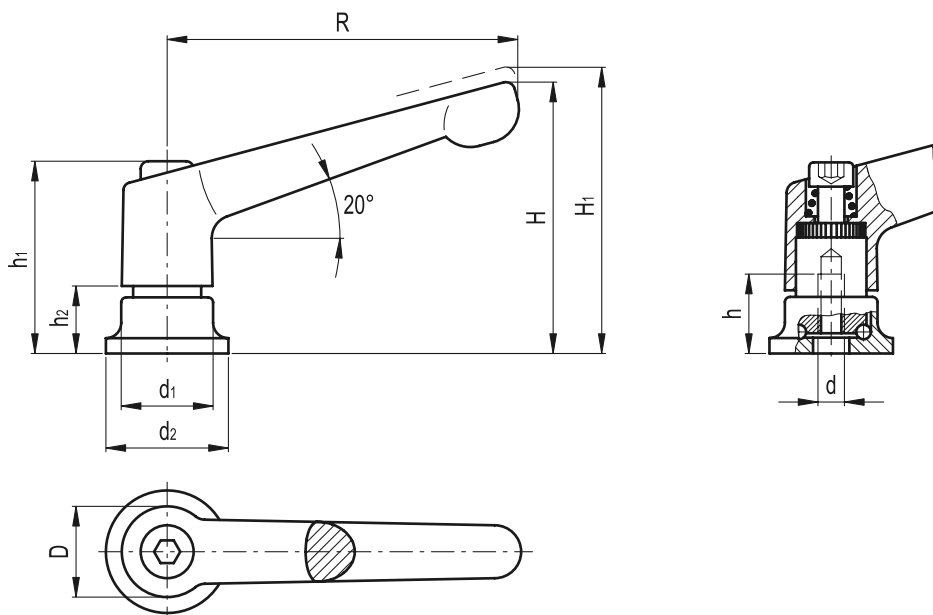
# GN 300.4

## Adjustable handles with high tightening clamping force

- **Lever body**  
Zinc alloy die-cast, epoxy resin coating.
- **Colour**  
RAL 9005 black matte finish, RAL 2004 orange, RAL 3000 red, RAL 9006 silver, RAL 9011 graphite black, chromium-plated.
- **Clamping element with distance bushing**  
Nitrided tempered steel with threaded hole and toothed element for coupling to the lever body.
- **Thrust ball bearing**  
Nitrided tempered steel.
- **Fitting screw**  
Black-oxide steel.

### Features and applications

GN 300.4 adjustable handles can withstand a double tightening clamp force thanks to a larger friction surface and to the thrust ball bearing which rotates freely thus reducing friction on the element. The reduced friction on the element and a greater pre-load avoid the deformation of the surface.



SW RAL 9005 OR RAL 2004 RT RAL 3000 SB RAL 9006 SZ RAL 9011



Standard Elements Description	Main dimensions								Mounting hole		△△ g
	R	D	H	H <sub>1</sub>	h <sub>1</sub>	h <sub>2</sub>	d <sub>1</sub>	d <sub>2</sub>	d	h	
GN 300.4-63-M6-*	63	17.5	48.5	52.5	34.5	11	17.5	24	M6	12.5	96
GN 300.4-78-M8-*	78	21	58.5	62.5	39.5	11.5	21	25	M8	14	140
GN 300.4-92-M10-*	92	24	68.5	72.5	46.5	13.5	24	30	M10	18	205
GN 300.4-108-M12-*	108	30	82	87	56.5	18	30	35	M12	26.5	325

\* Complete the description of the standard item needed by adding the index of the colour of the lever body: SW (black), OR (orange), RT (red), SB (silver), SZ (graphite black), CR (chromium-plated).



**eleSa-GANTER**

ELESA and GANTER models all rights reserved in accordance with the law. Always mention the source when reproducing our drawings.