



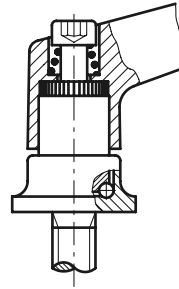
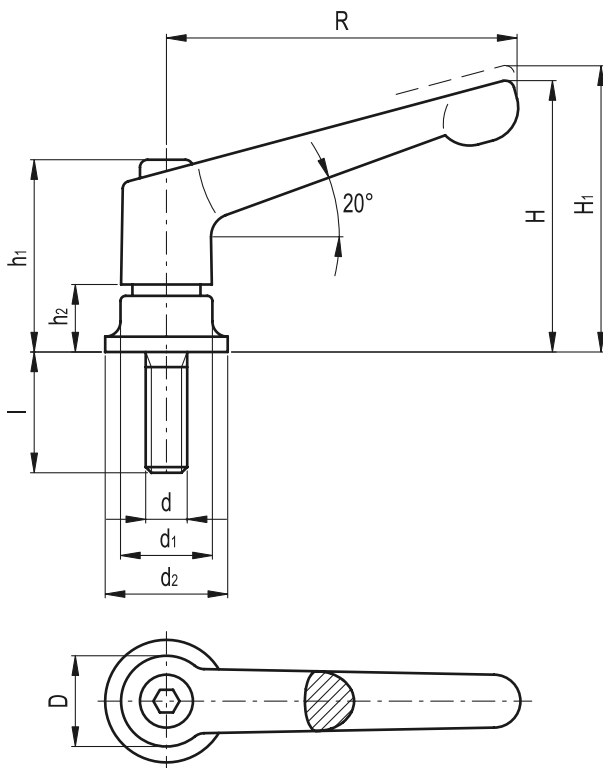
GN 300.4

Adjustable handles with high tightening clamping force

- **Lever body**
Zinc alloy die-cast, epoxy resin coating.
- **Colour**
RAL 9005 black matte finish, RAL 2004 orange, RAL 3000 red, RAL 9006 silver, RAL 9011 graphite black, chromium-plated.
- **Clamping element with distance bushing**
Nitrided tempered steel threaded stud with toothed element for coupling to the lever body.
- **Thrust ball bearing**
Nitrided tempered steel.
- **Fitting screw**
Black-oxide steel.

Features and applications

GN 300.4 adjustable handles can withstand a double tightening clamp force thanks to a larger friction surface and to the thrust ball bearing which rotates freely thus reducing friction on the element. The reduced friction on the element and a greater pre-load avoid the deformation of the surface.



SW RAL 9005 OR RAL 2004 RT RAL 3000 SB RAL 9006 SZ RAL 9011

Standard Elements	Main dimensions								Threaded stud		⚖
Description	R	D	H	H ₁	h ₁	h ₂	d ₁	d ₂	d	l	g
GN 300.4-63-M6-20-*	63	17.5	48.5	52.5	34.5	11	17.5	24	M6	20	99
GN 300.4-63-M6-27-*	63	17.5	48.5	52.5	34.5	11	17.5	24	M6	27	103
GN 300.4-78-M8-21-*	78	21	58.5	62.5	39.5	11.5	21	25	M8	21	152
GN 300.4-78-M8-36-*	78	21	58.5	62.5	39.5	11.5	21	25	M8	36	156
GN 300.4-92-M10-29-*	92	24	68.5	72.5	46.5	13.5	24	30	M10	29	218
GN 300.4-92-M10-47-*	92	24	68.5	72.5	46.5	13.5	24	30	M10	47	223
GN 300.4-108-M12-34-*	108	30	82	87	56.5	18	30	35	M12	34	366
GN 300.4-108-M12-50-*	108	30	82	87	56.5	18	30	35	M12	50	382
GN 300.4-108-M12-57-*	108	30	82	87	56.5	18	30	35	M12	57	389
GN 300.4-108-M12-65-*	108	30	82	87	56.5	18	30	35	M12	65	397
GN 300.4-108-M12-85-*	108	30	82	87	56.5	18	30	35	M12	85	417

* Complete the description of the standard item needed by adding the index of the colour of the lever body: SW (black), OR (orange), RT (red), SB (silver), SZ (graphite black), CR (chromium-plated).