

GN 125

Adjustable handles



- **Lever body**

Black-oxide steel.

- Execution **D**: straight arm.

- Execution **E**: 15° inclined arm.

- **Handle**

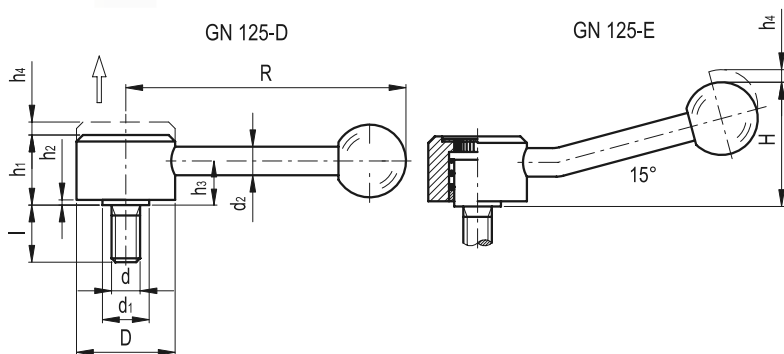
Phenolic based (PF) Duroplast, black colour, glossy finish type DIN 319 (see page 362). Resistant to solvents, oils, greases and other chemical agents.

- **Clamping element**

Black-oxide steel threaded stud with toothed element for coupling to the lever body, treated steel return spring.

- **Hub cap**

Anodised aluminium, natural colour.



Features and applications

Particularly suitable when the lever turning angle is limited owing to lack of space.

Instructions

For clamping, lift the lever to disengage the clamping device toothing and bring it back to start position. By releasing the lever, the return spring automatically engages the toothing.

Standard Elements	Main dimensions									Thread		ΔΔ
Description	D	R	H~	h1	h2	h3	h4	d1	d2	d	l	g
GN 125-32-M8-12-*	32	100	36	20.5	1.5	12.5	4	13.5	8	M8	12	147
GN 125-32-M8-16-*	32	100	36	20.5	1.5	12.5	4	13.5	8	M8	16	148
GN 125-32-M8-20-*	32	100	36	20.5	1.5	12.5	4	13.5	8	M8	20	149
GN 125-32-M8-25-*	32	100	36	20.5	1.5	12.5	4	13.5	8	M8	25	151
GN 125-32-M8-32-*	32	100	36	20.5	1.5	12.5	4	13.5	8	M8	32	153
GN 125-32-M8-40-*	32	100	36	20.5	1.5	12.5	4	13.5	8	M8	40	156
GN 125-32-M8-50-*	32	100	36	20.5	1.5	12.5	4	13.5	8	M8	50	158
GN 125-32-M8-63-*	32	100	36	20.5	1.5	12.5	4	13.5	8	M8	63	163
GN 125-32-M10-20-*	32	100	36	20.5	1.5	12.5	4	13.5	8	M10	20	152
GN 125-32-M10-25-*	32	100	36	20.5	1.5	12.5	4	13.5	8	M10	25	155
GN 125-32-M10-32-*	32	100	36	20.5	1.5	12.5	4	13.5	8	M10	32	159
GN 125-32-M10-40-*	32	100	36	20.5	1.5	12.5	4	13.5	8	M10	40	161
GN 125-32-M10-50-*	32	100	36	20.5	1.5	12.5	4	13.5	8	M10	50	166
GN 125-32-M10-63-*	32	100	36	20.5	1.5	12.5	4	13.5	8	M10	63	173
GN 125-32-M10-80-*	32	100	36	20.5	1.5	12.5	4	13.5	8	M10	80	193
GN 125-36-M10-16-*	36	120	45	24.5	2	15	4.5	16	10	M10	16	235
GN 125-36-M10-20-*	36	120	45	24.5	2	15	4.5	16	10	M10	20	237
GN 125-36-M10-25-*	36	120	45	24.5	2	15	4.5	16	10	M10	25	239
GN 125-36-M10-32-*	36	120	45	24.5	2	15	4.5	16	10	M10	32	242
GN 125-36-M10-40-*	36	120	45	24.5	2	15	4.5	16	10	M10	40	246
GN 125-36-M10-50-*	36	120	45	24.5	2	15	4.5	16	10	M10	50	252
GN 125-36-M10-63-*	36	120	45	24.5	2	15	4.5	16	10	M10	63	259
GN 125-36-M10-80-*	36	120	45	24.5	2	15	4.5	16	10	M10	80	266
GN 125-36-M12-25-*	36	120	45	24.5	2	15	4.5	16	10	M12	25	245
GN 125-36-M12-32-*	36	120	45	24.5	2	15	4.5	16	10	M12	32	250
GN 125-36-M12-40-*	36	120	45	24.5	2	15	4.5	16	10	M12	40	256
GN 125-36-M12-50-*	36	120	45	24.5	2	15	4.5	16	10	M12	50	263
GN 125-36-M12-63-*	36	120	45	24.5	2	15	4.5	16	10	M12	63	271
GN 125-36-M12-80-*	36	120	45	24.5	2	15	4.5	16	10	M12	80	283
GN 125-40-M12-25-*	40	130	50	26.5	2	16	4.5	19	12	M12	25	336
GN 125-40-M12-32-*	40	130	50	26.5	2	16	4.5	19	12	M12	32	342
GN 125-40-M12-40-*	40	130	50	26.5	2	16	4.5	19	12	M12	40	348
GN 125-40-M12-50-*	40	130	50	26.5	2	16	4.5	19	12	M12	50	355
GN 125-40-M12-63-*	40	130	50	26.5	2	16	4.5	19	12	M12	63	364
GN 125-40-M12-80-*	40	130	50	26.5	2	16	4.5	19	12	M12	80	376
GN 125-45-M16-32-*	45	145	60	31.5	2	20	5	23	12	M16	32	488
GN 125-45-M16-40-*	45	145	60	31.5	2	20	5	23	12	M16	40	498
GN 125-45-M16-50-*	45	145	60	31.5	2	20	5	23	12	M16	50	512
GN 125-45-M16-63-*	45	145	60	31.5	2	20	5	23	12	M16	63	529
GN 125-45-M16-80-*	45	145	60	31.5	2	20	5	23	12	M16	80	549

* Complete the description of the standard item needed by adding the type of lever (D or E).