

GN 125

Adjustable handles

- **Lever body**
Black-oxide steel.
- Execution **D**: straight arm.
- Execution **E**: 15° inclined arm.
- **Handle**
Phenolic based (PF) Duroplast, black colour, glossy finish type DIN 319 (see page 362). Resistant to solvents, oils, greases and other chemical agents.
- **Clamping element**
Black-oxide steel with threaded hole and toothed element for coupling to the lever body, treated steel return spring.
- **Hub cap**
Anodised aluminium, natural colour.

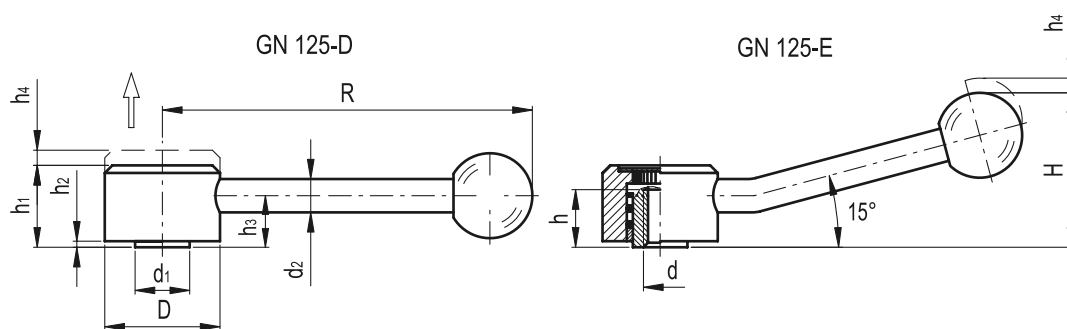


Features and applications

Particularly suitable when the lever turning angle is limited owing to lack of space.

Instructions

For clamping, lift the lever to disengage the clamping device toothing and bring it back to start position. By releasing the lever, the return spring automatically engages the toothing.



Standard Elements	Main dimensions									Mounting hole		△△
Description	D	R	H~	h1	h2	h3	h4	d1	d2	d	h	g
GN 125-32-M6-D	32	100	-	20.5	1.5	12.5	4	13.5	8	M6	11	141
GN 125-32-M6-E	32	100	36	20.5	1.5	12.5	4	13.5	8	M6	11	141
GN 125-32-M8-D	32	100	-	20.5	1.5	12.5	4	13.5	8	M8	11	139
GN 125-32-M8-E	32	100	36	20.5	1.5	12.5	4	13.5	8	M8	11	139
GN 125-36-M8-D	36	120	-	24.5	2	15	4.5	16	10	M8	14	223
GN 125-36-M8-E	36	120	45	24.5	2	15	4.5	16	10	M8	14	223
GN 125-36-M10-D	36	120	-	24.5	2	15	4.5	16	10	M10	14	223
GN 125-36-M10-E	36	120	45	24.5	2	15	4.5	16	10	M10	14	223
GN 125-40-M10-D	40	130	-	26.5	2	16	4.5	19	12	M10	17	307
GN 125-40-M10-E	40	130	50	26.5	2	16	4.5	19	12	M10	17	307
GN 125-40-M12-D	40	130	-	26.5	2	16	4.5	19	12	M12	17	301
GN 125-40-M12-E	40	130	50	26.5	2	16	4.5	19	12	M12	17	301
GN 125-45-M12-D	45	145	-	31.5	2	20	5	23	12	M12	23	425
GN 125-45-M12-E	45	145	60	31.5	2	20	5	23	12	M12	23	425
GN 125-45-M14-D	45	145	-	31.5	2	20	5	23	12	M14	23	430
GN 125-45-M14-E	45	145	60	31.5	2	20	5	23	12	M14	23	430
GN 125-45-M16-D	45	145	-	31.5	2	20	5	23	12	M16	23	406
GN 125-45-M16-E	45	145	60	31.5	2	20	5	23	12	M16	23	406



elessa-GANTER

ELESA and GANTER models all rights reserved in accordance with the law. Always mention the source when reproducing our drawings.