

GN 101

Adjustable handles

- **Lever body**

Zinc pressure die-cast.

- **Colour**

RAL 9005 black (type SW) and RAL 2004 orange (type OR), epoxy resin coating.

- **Clamping element**

Black-oxide steel with toothed element for coupling to the lever body, treated steel retaining screw and return spring.

Features and applications

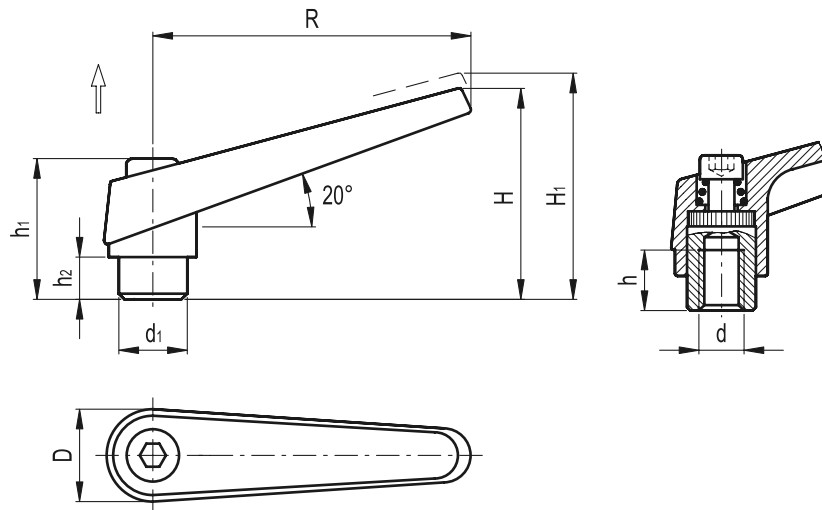
The full range of adjustable handles are used for applications where a limited space or a particular handle position is required.

Instructions of use

The threaded bushing is connected to the handle via serrations and can be easily disengaged.

By pulling the handle, the internal mechanism disengages the serrations and allows the handle to swivel to the ideal clamping position.

By releasing the handle, the mechanism automatically re-engages serrations.



SW RAL 9005 OR RAL 2004



Standard Elements	Main dimensions							Mounting hole		△
Description	R	D	H	H1	h1	h2	d1	d	h	g
GN 101-14-M5-*	45	14	35	38.5	25	4.5	10	M5	9	33
GN 101-14-M6-*	45	14	35	38.5	25	4.5	10	M6	9	33
GN 101-18-M6-*	62	18	45	49	31	6.5	13.5	M6	11	73
GN 101-18-M8-*	62	18	45	49	31	6.5	13.5	M8	11	69
GN 101-22-M8-*	74	22	52	56	36	8	16	M8	14	116
GN 101-22-M10-*	74	22	52	56	36	8	16	M10	14	115
GN 101-25-M10-*	89	25	63	67	43	11	19	M10	17	173
GN 101-25-M12-*	89	25	63	67	43	11	19	M12	17	168
GN 101-30-M12-*	108	30	76	81	50.5	12	23	M12	22	301
GN 101-30-M16-*	108	30	76	81	50.5	12	23	M16	22	285

* Complete the description of the standard item needed by adding the index of the colour of the lever body: SW (black) or OR (orange).