

## Adjustable handles



### • Lever body

Glass-fibre reinforced polyamide based (PA) technopolymer. Resistant to solvents, oils, greases and other chemical agents. Built-in zinc alloy toothed insert for coupling to the metal clamping element.

### • Colour

Grey-black with matte finish.

### • Clamping element

AISI 303 stainless steel with threaded bore and toothed element for coupling to the built-in zinc alloy insert, AISI 303 stainless steel retaining screw and return spring.

### Special executions on request (For sufficient quantities)

Lever body in orange colour.

### Features and applications

Particularly suitable when the lever turning angle is limited owing to lack of space.

**The metal tothing of the built-in zinc alloy insert allows the assembly of clamping elements completely made out of metal**, which can be easily modified by machining in case of special assembly requirements.

AISI 303 stainless steel, thanks to its high resistance to corrosion, allows the application of these adjustable handles on machines and equipment in those sectors where laws or particular hygienic, climatic and environmental factors make it mandatory to use corrosion resistant materials.

### Instructions of use

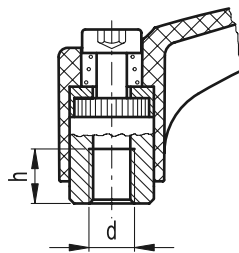
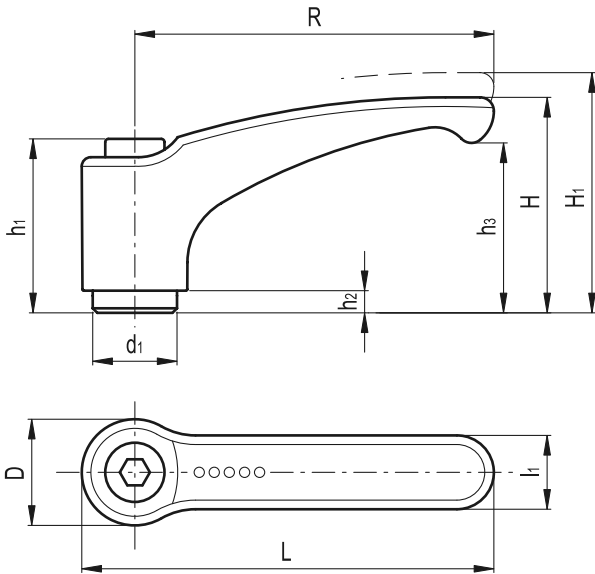
For clamping, lift the lever to disengage the clamping device tothing and bring it back to start position. By releasing the lever, the return spring automatically engages the tothing.

If the lever cannot make a 360° rotation, the clamping element can be easily screwed by means of the hexagon socket front head screw (after having disengaged the lever).

### Ergonomy and design

The slightly arched shape of the lever and the ergonomic terminal enlargement give the operator a comfortable and safe grip and make the design of the handle more elegant.

The design of the lever body of this series is exactly like the design of ERX.SST adjustable levers, which has been awarded by the following juries for Industrial Design: Die Gute Industrieform Hannover 1995, Internationaler Designpreis des Landes Baden-Württemberg 1996/97.



Standard Elements		Main dimensions										Mounting hole		Teeth no.	⚖
Code	Description	R	L	D	H	H1	h1	h2	h3	d1	l1	d	h	z	g
239105	ERZ.44 SST-M5	44	52	15.5	30.5	34	24.5	3.5	22.5	10	11	M5	8	18	16
239106	ERZ.44 SST-M6	44	52	15.5	30.5	34	24.5	3.5	22.5	10	11	M6	8	18	15
239135	ERZ.63 SST-M6	63	73.5	19	38.5	42	31	3.5	30	13.5	13.5	M6	10	24	36
239136	ERZ.63 SST-M8	63	73.5	19	38.5	42	31	3.5	30	13.5	13.5	M8	10	24	34
239155	ERZ.78 SST-M8	78	90.5	23	46.5	50.5	36	3.5	36.5	16	16	M8	14	26	61
239156	ERZ.78 SST-M10	78	90.5	23	46.5	50.5	36	3.5	36.5	16	16	M10	14	26	55
239175	ERZ.95 SST-M10	95	109	26.5	56.5	61.5	43	5	45	19	18	M10	17	28	93
239176	ERZ.95 SST-M12	95	109	26.5	56.5	61.5	43	5	45	19	18	M12	17	28	86