

Adjustable handles for quick assembly



- **Lever body**

Glass-fibre reinforced polyamide based (PA) technopolymer. Resistant to solvents, oils, greases and other chemical agents.

- **Colour**

Grey-black, matte finish.

- **Push button**

Technopolymer, RAL 2004 orange colour, glossy finish. On request and for sufficient quantities it can be supplied in one of the other Ergostyle colours.

- **Clamping element with retaining pin**

Glass-fibre reinforced technopolymer, black colour, with knurling on the protruding part to make initial tightening easier. AISI 302 stainless steel return spring.

For quick assembly (ELESA patent) six-lobe socket ISO 10664 to fit TORX® T15 tool (registered trademark of TEXTRON INC.).

- **Assembly**

Brass boss, tapped blind hole.



3

228

Clamping levers

Special executions on request (For sufficient quantities)

Lever body in orange colour.

Features and applications

Even if it has a plastic push button, ERX.AV adjustable handle offers the possibility of a quick initial screwing during assembly by means of electric or pneumatic screwdrivers with controlled tightening torque system.

Stress resistance

See ERX. on page 210.

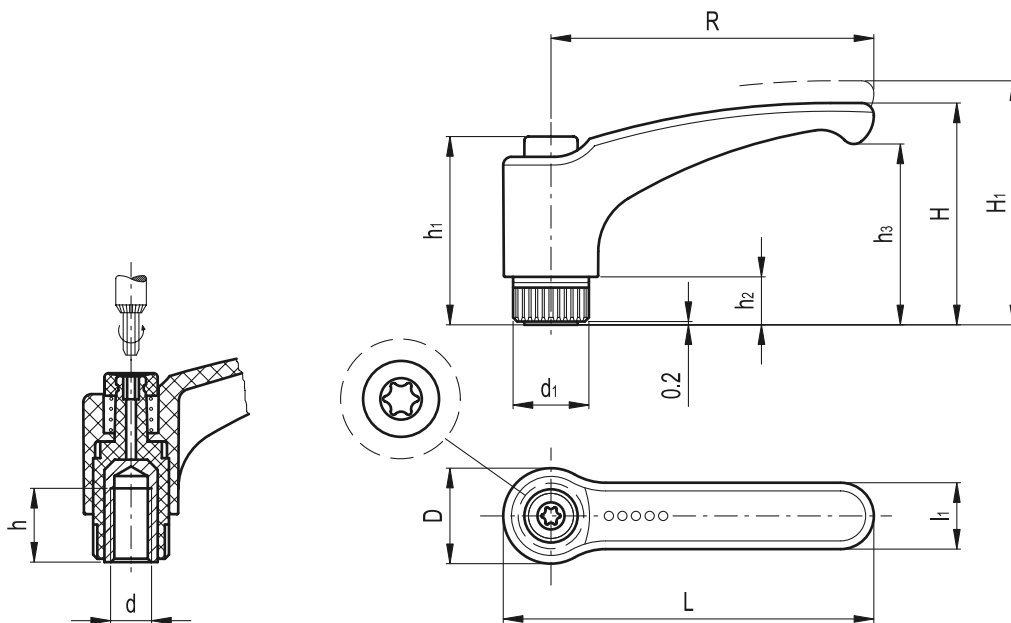
Instructions of use

For clamping, lift the lever to disengage the clamping device toothing and bring it back to start position. By releasing the lever, the return spring automatically engages the toothing.

Ergonomy and design

The slightly arched shape of the lever and the ergonomic terminal enlargement give the operator a comfortable and safe grip and make the design of the handle more elegant, while the thumb rests naturally on the push button.

The design of the lever body of this series is exactly like the design of ERX. adjustable levers, which has been awarded by the following juries for Industrial Design: Die Gute Industrieform Hannover 1995, Internationaler Designpreis des Landes Baden-Württemberg 1996/97.



Standard Elements		Main dimensions										Mounting hole		Teeth no.	△△
Code	Description	R	L	D	H	H ₁	h ₁	h ₂	h ₃	d ₁	l ₁	d 6H	h	z	g
233158-C2	ERX.78 AV B-M10-C2	78	90.5	23	54	58	45	12	44	19	16	M10	18	24	44
233163-C2	ERX.78 AV B-M12-C2	78	90.5	23	54	58	45	12	44	19	16	M12	17	24	43