

Wing knobs

- **Material**

AISI 316L sintered stainless steel, sandblasted matte finish.

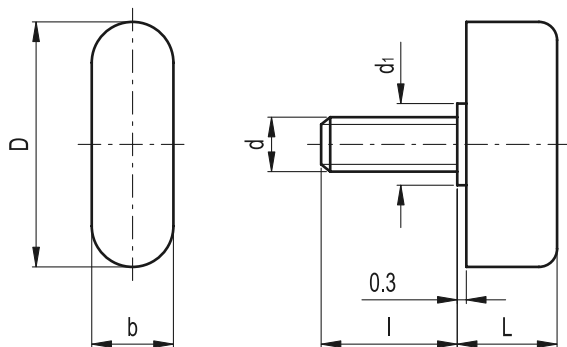
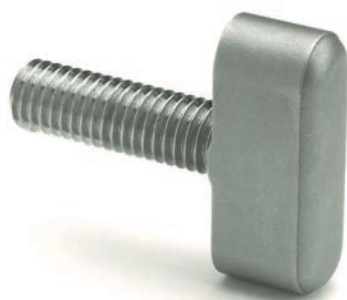
- **Assembly**

AISI 304 stainless steel threaded pin, screwed and set in the body with a lock pin.

Features and applications

These wing knobs allow high tightening torque values.

AISI 304 and AISI 316L stainless steel, thanks to their high resistance to corrosion, allow the application of these wing knobs on machines and equipment in those sectors where laws or particular hygienic, climatic and environmental factors make it mandatory to use corrosion resistant materials.



Standard Elements	Main dimensions				Threaded stud		Δ^{\pm}
Description	D	L	b	d1	d	$\begin{smallmatrix} +0.5 \\ l-1 \end{smallmatrix}$	g
GN 431-25-M6-16	25	10	8	8	M6	16	15
GN 431-25-M6-20	25	10	8	8	M6	20	16
GN 431-25-M6-25	25	10	8	8	M6	25	17
GN 431-30-M6-16	30	12	10	10	M6	16	25
GN 431-30-M6-20	30	12	10	10	M6	20	25
GN 431-30-M6-25	30	12	10	10	M6	25	25
GN 431-30-M8-16	30	12	10	10	M8	16	26
GN 431-30-M8-20	30	12	10	10	M8	20	28
GN 431-30-M8-25	30	12	10	10	M8	25	30
GN 431-30-M8-32	30	12	10	10	M8	32	32
GN 431-36-M8-16	36	14.5	12	12	M8	16	44
GN 431-36-M8-20	36	14.5	12	12	M8	20	45
GN 431-36-M8-25	36	14.5	12	12	M8	25	50
GN 431-36-M8-32	36	14.5	12	12	M8	32	49
GN 431-36-M10-20	36	14.5	12	12	M10	20	48
GN 431-36-M10-30	36	14.5	12	12	M10	30	53
GN 431-36-M10-40	36	14.5	12	12	M10	40	55

Wing knobs

- **Material**

AISI 316L sintered stainless steel, sandblasted matte finish.

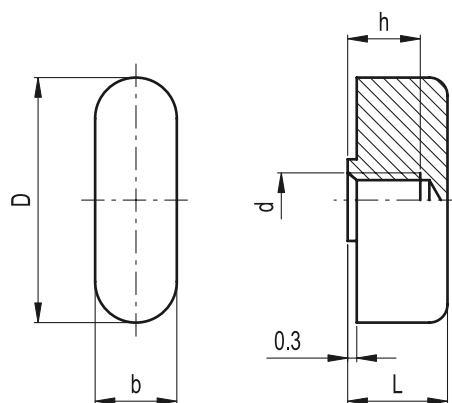
- **Assembly**

Tapped blind hole.

Features and applications

These wing knobs allow high tightening torque values.

AISI 316L stainless steel, thanks to its high resistance to corrosion, allows the application of these wing knobs on machines and equipment in those sectors where laws or particular hygienic, climatic and environmental factors make it mandatory to use corrosion resistant materials.



Standard Elements	Main dimensions			Mounting hole		Δ^{\pm}
Description	D	L	b	d	h	g
GN 432-25-M6	25	10	8	M6	7	11
GN 432-30-M6	30	12	10	M6	9	20
GN 432-30-M8	30	12	10	M8	9	19
GN 432-36-M8	36	14.5	12	M8	10	35
GN 432-36-M10	36	14.5	12	M10	10	38