

# CWN.FP

ELESA Original design

## Wing nuts



- **Material**

Glass-fibre reinforced polyamide based (PA) technopolymer. Resistant to solvents, oils, greases and other chemical agents.

- **Colour**

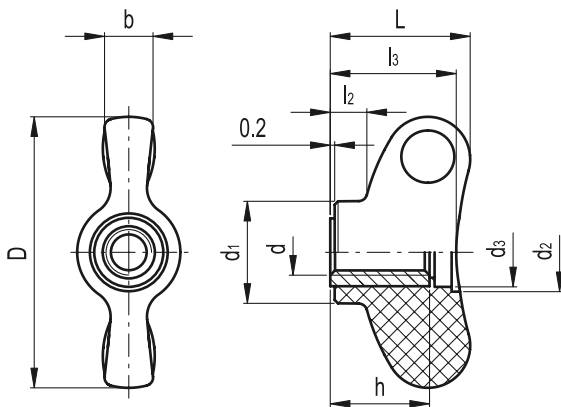
Black, matte finish.

- **Assembly**

Brass boss, tapped through hole.

### Ergonomy and design

The slightly convex marks on the wings offer a point where the fingers can be positioned to apply the maximum clamping force with the best grip.



Standard Elements		Main dimensions						Mounting hole			△△	
Code	Description	D	L	d1	d2	d3	l2	l3	b	d 6H	h	g
8606	CWN.32 FP-M6	32	16.5	12	9	8	3.5	14.5	6	M6	12	5
8656	CWN.40 FP-M8	40	21	13.5	10	9.5	5	19	6.5	M8	16	10

# CWN.

ELESA Original design

## Wing nuts



- **Material**

Glass-fibre reinforced polyamide based (PA) technopolymer. Resistant to solvents, oils, greases and other chemical agents.

- **Colour**

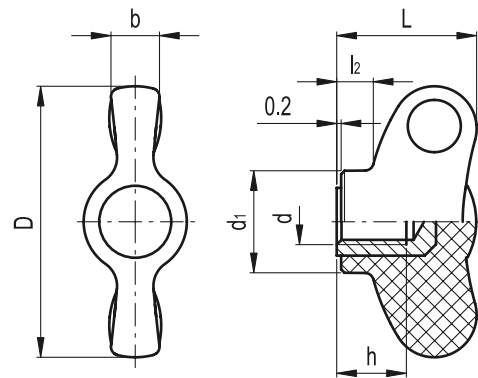
Black, matte finish.

- **Assembly**

Brass boss, tapped blind hole.

### Ergonomy and design

The slightly convex marks on the wings offer a point where the fingers can be positioned to apply the maximum clamping force with the best grip.



Standard Elements		Main dimensions					Mounting hole		△△
Code	Description	D	L	d1	l2	b	d 6H	h	g
8601	CWN.32 B-M5	32	16.5	12	3.5	6	M5	6	7
8602	CWN.32 B-M6	32	16.5	12	3.5	6	M6	8	6
8651	CWN.40 B-M6	40	21	13.5	4.5	6.5	M6	12	12
8652	CWN.40 B-M8	40	21	13.5	4.5	6.5	M8	13	11