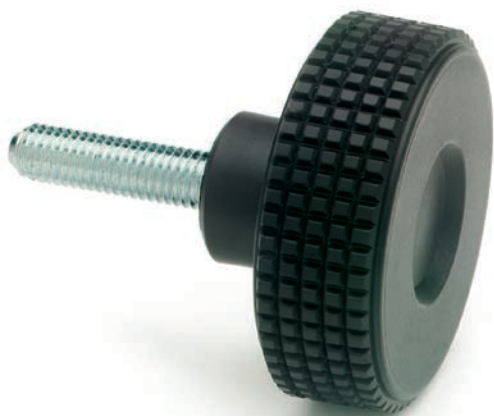


MBT.p

ELESA Original design

Diamond cut knurled knobs



- **Material**

High resilience polypropylene based (PP) technopolymer. Resistant to solvents, oils, greases and other chemical agents.

- **Colour**

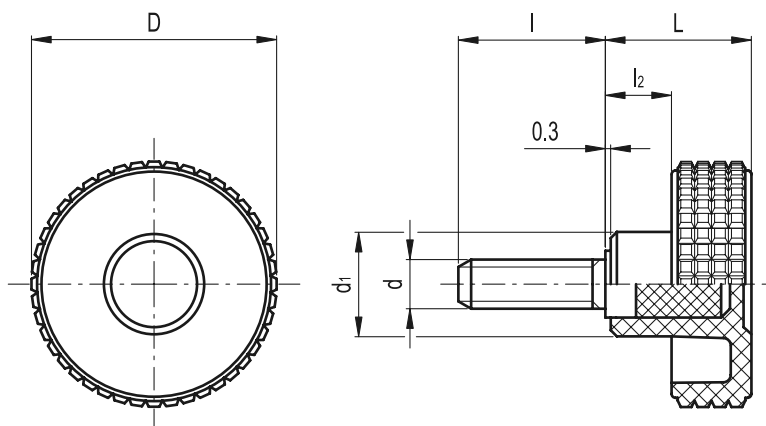
Black, matte finish.

- **Assembly**

Zinc-plated steel threaded stud, chamfered flat end according to UNI 947 : ISO 4753 (see Technical Data on page A11).

Ergonomy and design

The particular knurling on the outside rim of the knob, provided with a structure of very fine pitch, allows a safe and comfortable grip, offering the operator the possibility of operating under the most different working conditions in a sensitive and ergonomic way and simplifying the adjustment of the knob during rapid rotation (or screwing) without any unpleasant angular work for the hand and wrist.



Standard Elements		Main dimensions				Threaded stud		⚖
Code	Description	D	L	d ₁	l ₂	d 6g	l	g
34221	MBT.30 p-M5x10	31	22	15	9	M5	10	13
34226	MBT.30 p-M5x20	31	22	15	9	M5	20	14
34241	MBT.30 p-M5x40	31	22	15	9	M5	40	16
34261	MBT.30 p-M6x10	31	22	15	9	M6	10	13
34266	MBT.30 p-M6x20	31	22	15	9	M6	20	15
34281	MBT.30 p-M6x40	31	22	15	9	M6	40	19
34341	MBT.40 p-M6x10	40	24	17	11	M6	10	18
34346	MBT.40 p-M6x20	40	24	17	11	M6	20	20
34361	MBT.40 p-M6x40	40	24	17	11	M6	40	24
34381	MBT.40 p-M8x16	40	24	17	11	M8	16	26
34391	MBT.40 p-M8x30	40	24	17	11	M8	30	30
34396	MBT.40 p-M8x50	40	24	17	11	M8	50	36
34431	MBT.50 p-M8x16	50	30	20	13.5	M8	16	36
34436	MBT.50 p-M8x30	50	30	20	13.5	M8	30	38
34441	MBT.50 p-M8x50	50	30	20	13.5	M8	50	44
34451	MBT.50 p-M10x20	50	30	20	13.5	M10	20	42
34456	MBT.50 p-M10x30	50	30	20	13.5	M10	30	47
34471	MBT.50 p-M10x50	50	30	20	13.5	M10	50	57
34521	MBT.60 p-M10x20	60	35	23	15	M10	20	58
34526	MBT.60 p-M10x30	60	35	23	15	M10	30	63
34536	MBT.60 p-M10x50	60	35	23	15	M10	50	73
34551	MBT.60 p-M12x20	60	35	23	15	M12	20	70
34556	MBT.60 p-M12x30	60	35	23	15	M12	30	78
34571	MBT.60 p-M12x50	60	35	23	15	M12	50	94
34631	MBT.70 p-M12x30	69	38	24	18.5	M12	30	90
34641	MBT.70 p-M12x50	69	38	24	18.5	M12	50	105