

# MBT.

ELESA Original design

## Diamond cut knurled knobs



- **Material**  
High resilience polypropylene based (PP) technopolymer. Resistant to solvents, oils, greases and other chemical agents.
- **Colour**  
Black, matte finish.
- **Assembly**  
Brass boss, plain or tapped blind hole.

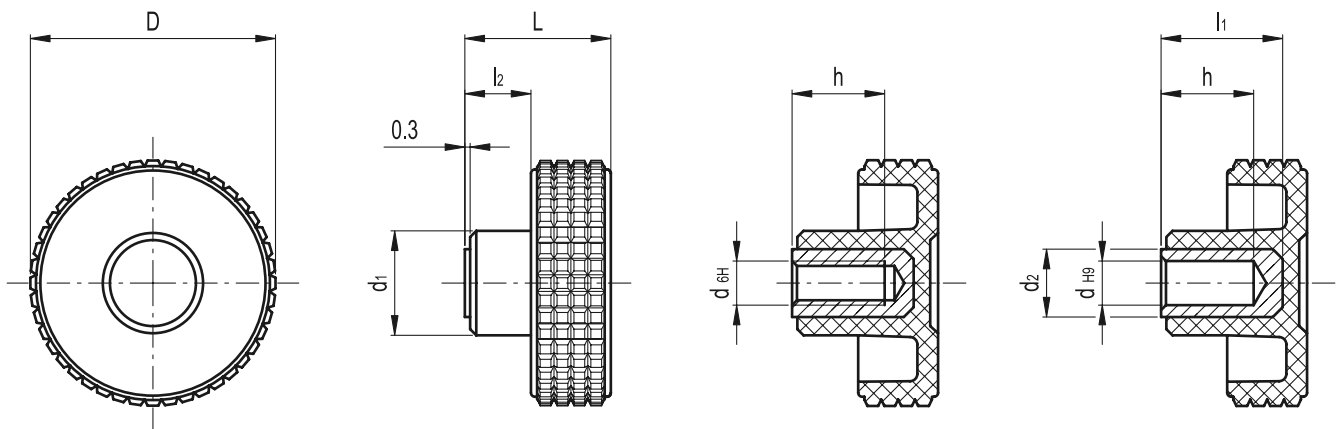
### Ergonomy and design

The particular knurling on the outside rim of the knob, provided with a structure of very fine pitch, allows a safe and comfortable grip, offering the operator the possibility of operating under the most different working conditions in a sensitive and ergonomic way and simplifying the adjustment of the knob during rapid rotation (or screwing) without any unpleasant angular work for the hand and wrist.



2  
194

Clamping knobs



Standard Elements		Main dimensions						Mounting hole			⚖
Code	Description	D	L	d1	d2	l1	l2	d H9	d 6H	h	g
34201	MBT.30 B-M5	31	22	15	-	-	9	-	M5	10	12
34206	MBT.30 B-M6	31	22	15	-	-	9	-	M6	12	17
34316	MBT.40 B-6	40	24	17	12	17	11	6	-	14	27
34321	MBT.40 B-M6	40	24	17	-	-	11	-	M6	12	22
34326	MBT.40 B-M8	40	24	17	-	-	11	-	M8	13	23
34416	MBT.50 B-8	50	30	20	15	25	13.5	8	-	20	47
34421	MBT.50 B-M8	50	30	20	-	-	13.5	-	M8	20	32
34426	MBT.50 B-M10	50	30	20	-	-	13.5	-	M10	18	34
34506	MBT.60 B-10	60	35	23	16	30	15	10	-	25	67
34511	MBT.60 B-M10	60	35	23	-	-	15	-	M10	20	50
34516	MBT.60 B-M12	60	35	23	-	-	15	-	M12	20	58
34611	MBT.70 B-M12	69	38	24	-	-	18.5	-	M12	20	70
34616	MBT.70 B-M14	69	38	24	-	-	18.5	-	M14	20	78



**eleSA-GANTER**

ELESA and GANTER models all rights reserved in accordance with the law. Always mention the source when reproducing our drawings.