

Fluted grip knobs



- **Material**

Polyamide based (PA) special antistatic technopolymer. Resistant to solvents, oils, greases and other chemical agents.

- **Colour**

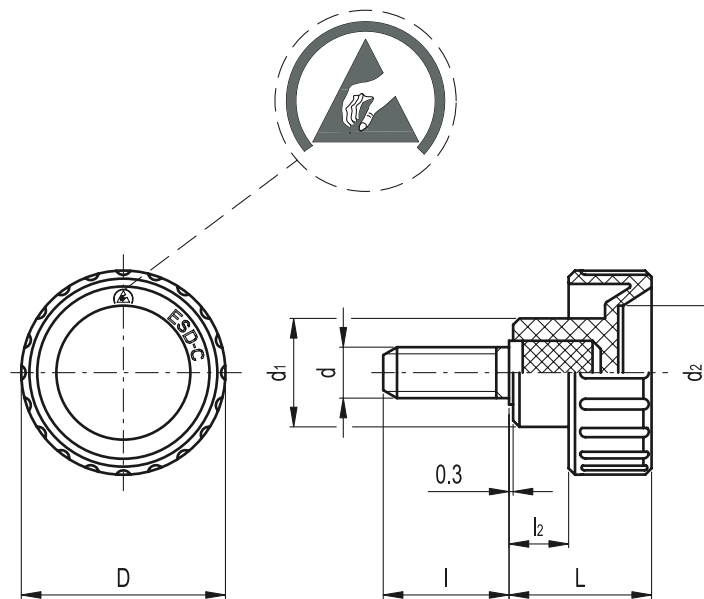
Black, matte finish.

- **Assembly**

Zinc-plated steel threaded stud, chamfered flat end according to UNI 947 : ISO 4753 (see Technical Data on page A11).

Features and applications

The special conductive technopolymer (ESD-C Electrostatic Discharge Conductive) prevents the transfer of electrostatic discharge between bodies with different electric potential. BT.p-ESD knobs are suitable for ESD PROTECTED AREA (EPA) where components which are susceptible to electrostatic discharges are to be handled with the minimum risk of damage. The indelibly printed mark (ESD-C) on the surface of the knob identifies the particular antistatic feature according to EN 100015/1 and IEC 61340-5-1.



Standard Elements		Main dimensions					Threaded stud		⚖
Code	Description	D	L	d ₁	d ₂	l ₂	d _{6g}	l	g
154151	BT.16 p-M5x10-ESD-C	16	13	11	9	5	M5	10	6
154152	BT.16 p-M5x16-ESD-C	16	13	11	9	5	M5	16	6
154251	BT.20 p-M6x10-ESD-C	20	16	11.5	11	6	M6	10	9
154252	BT.20 p-M6x16-ESD-C	20	16	11.5	11	6	M6	16	11
154253	BT.20 p-M6x25-ESD-C	20	16	11.5	11	6	M6	25	16
154351	BT.25 p-M8x16-ESD-C	25	19	16	15	8	M8	16	15
154352	BT.25 p-M8x25-ESD-C	25	19	16	15	8	M8	25	18
154451	BT.32 p-M10x20-ESD-C	32	22	17	21	9	M10	20	25
154452	BT.32 p-M10x30-ESD-C	32	22	17	21	9	M10	30	28