

Fluted grip knobs



- **Material**
Polyamide based (PA) technopolymer. Resistant to solvents, oils, greases and other chemical agents.
- **Colour**
Black, matte finish.
- **Assembly**
AISI 303 stainless steel boss, tapped blind hole.

Features and applications

AISI 303 stainless steel, thanks to its high resistance to corrosion, allows the application of these knobs on machines and equipment in those sectors where laws or particular hygienic, climatic and environmental factors make it mandatory to use corrosion resistant materials.

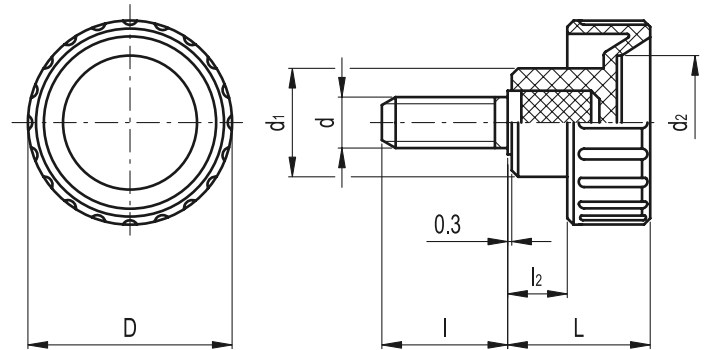
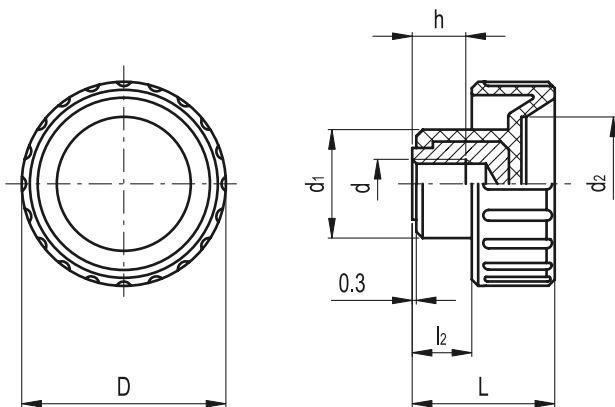
Fluted grip knobs



- **Material**
Polyamide based (PA) technopolymer. Resistant to solvents, oils, greases and other chemical agents.
- **Colour**
Black, matte finish.
- **Assembly**
AISI 303 stainless steel threaded stud, chamfered flat end according to UNI 947 : ISO 4753 (see Technical Data on page A11).

Features and applications

AISI 303 stainless steel, thanks to its high resistance to corrosion, allows the application of these knobs on machines and equipment in those sectors where laws or particular hygienic, climatic and environmental factors make it mandatory to use corrosion resistant materials.



Standard Elements		Main dimensions					Mounting hole		⚖
Code	Description	D	L	d1	d2	l2	d 6H	h	g
106521	BT.20 S-M5-INOX	20	16	11.5	11	6	M5	5	6
106621	BT.25 S-M6-INOX	25	19	16	15	8	M6	8	9
106721	BT.32 S-M8-INOX	32	22	17	21	9	M8	10	12

Standard Elements		Main dimensions					Threaded stud		⚖
Code	Description	D	L	d1	d2	l2	d 6g	l	g
106541	BT.20 S-p-M5x10-INOX	20	16	11.5	11	6	M5	10	7
106542	BT.20 S-p-M5x16-INOX	20	16	11.5	11	6	M5	16	8
106642	BT.25 S-p-M6x16-INOX	25	19	16	15	8	M6	16	10
106644	BT.25 S-p-M6x20-INOX	25	19	16	15	8	M6	20	11
106647	BT.25 S-p-M6x30-INOX	25	19	16	15	8	M6	30	13
106752	BT.32 S-p-M8x16-INOX	32	22	17	21	9	M8	16	17
106754	BT.32 S-p-M8x20-INOX	32	22	17	21	9	M8	20	19
106757	BT.32 S-p-M8x30-INOX	32	22	17	21	9	M8	30	23