

BT.FP-ESD

ELESA Original design



Fluted grip knobs



- **Material**
Polyamide based (PA) special antistatic technopolymer. Resistant to solvents, oils, greases and other chemical agents.
- **Colour**
Black, matte finish.
- **Assembly**
Brass boss, tapped through hole.

Features and applications

The special conductive technopolymer (ESD-C Electrostatic Discharge Conductive) prevents the transfer of electrostatic discharge between bodies with different electric potential. BT.FP-ESD knobs are suitable for ESD PROTECTED AREA (EPA) where components which are susceptible to electrostatic discharges are to be handled with the minimum risk of damage. The indelibly printed mark (ESD-C) on the surface of the knob identifies the particular antistatic feature according to EN 100015/1 and IEC 61340-5-1.



BT-ESD

ELESA Original design



Fluted grip knobs



- **Material**
Polyamide based (PA) special antistatic technopolymer. Resistant to solvents, oils, greases and other chemical agents.
- **Colour**
Black, matte finish.
- **Assembly**
Brass boss, tapped blind hole.

Features and applications

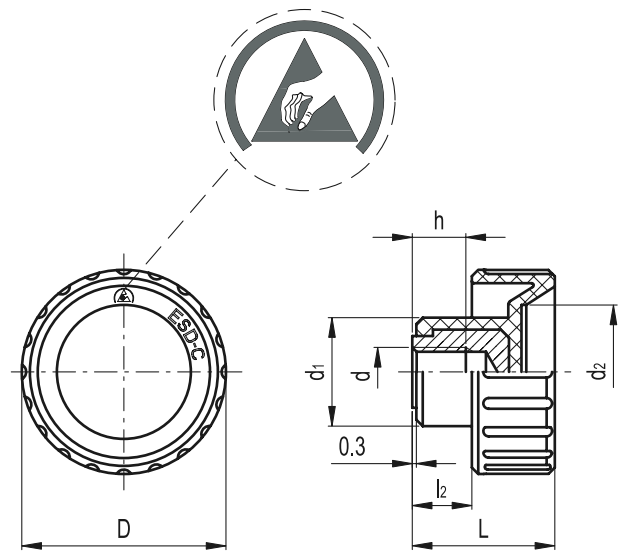
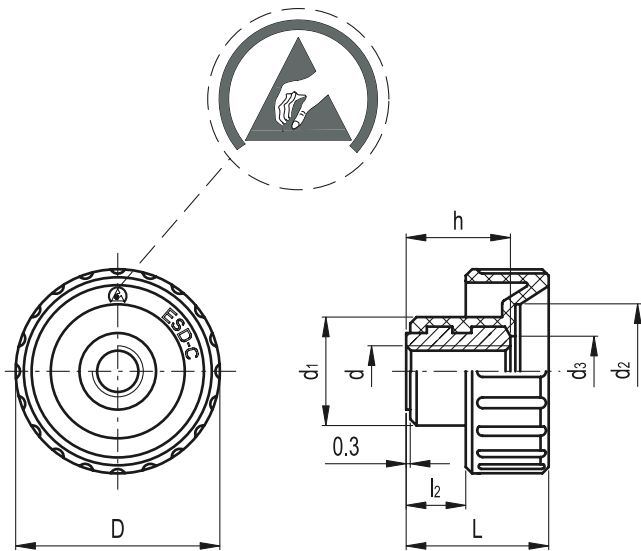
The special conductive technopolymer (ESD-C Electrostatic Discharge Conductive) prevents the transfer of electrostatic discharge between bodies with different electric potential. BT-ESD knobs are suitable for ESD PROTECTED AREA (EPA) where components which are susceptible to electrostatic discharges are to be handled with the minimum risk of damage. The indelibly printed mark (ESD-C) on the surface of the knob identifies the particular antistatic feature according to EN 100015/1 and IEC 61340-5-1.



2

182

Clamping knobs



Standard Elements		Main dimensions						Mounting hole			\triangle/\triangle
Code	Description	D	L	d ₁	d ₂	d ₃	l ₂	d	h	g	
154132	BT.16 FP-M5-ESD-C	16	13	11	9	6	5	M5	10	5	
154232	BT.20 FP-M6-ESD-C	20	16	11.5	11	7	6	M6	12	7	
154332	BT.25 FP-M8-ESD-C	25	19	16	15	9	8	M8	14	11	
154432	BT.32 FP-M10-ESD-C	32	22	17	21	11	9	M10	16	13	

Standard Elements		Main dimensions						Mounting hole			\triangle/\triangle
Code	Description	D	L	d ₁	d ₂	l ₂	d	h	g		
154121	BT.16 B-M4-ESD-C	16	13	11	9	5	M4	6	5		
154221	BT.20 B-M5-ESD-C	20	16	11.5	11	6	M5	6	6		
154321	BT.25 B-M6-ESD-C	25	19	16	15	8	M6	8	9		
154421	BT.32 B-M8-ESD-C	32	22	17	21	9	M8	10	11		



eleSA-GANTER

ELESA and GANTER models all rights reserved in accordance with the law. Always mention the source when reproducing our drawings.