

B.259

ELESA Original design

Knurled grip knobs



- **Material**
Phenolic based (PF) Duroplast. Resistant to solvents, oils, greases and other chemical agents.
- **Colour**
Black, glossy finish.
- **Assembly**
Brass boss, tapped blind hole.

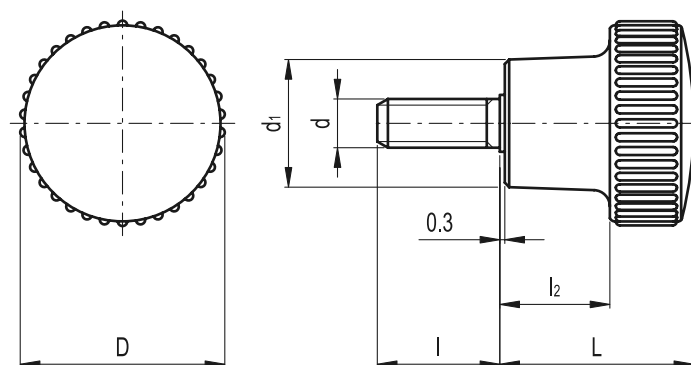
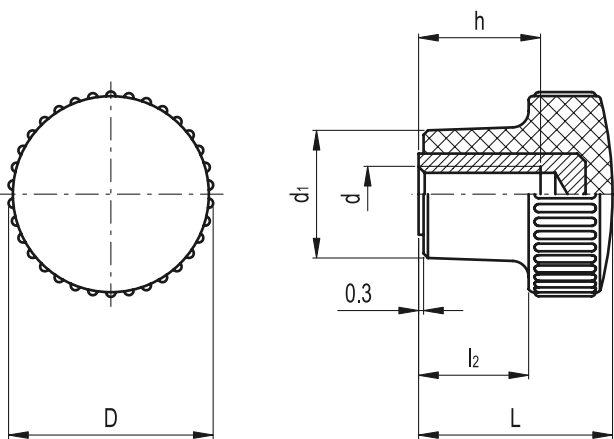
B.259 p

ELESA Original design

Knurled grip knobs



- **Material**
Phenolic based (PF) Duroplast. Resistant to solvents, oils, greases and other chemical agents.
- **Colour**
Black, glossy finish.
- **Assembly**
Zinc-plated steel threaded stud, chamfered flat end according to UNI 947 : ISO 4753 (see Technical Data on page A11).



| Standard Elements | | Main dimensions | | | | Mounting hole | | Δ |
|-------------------|----------------|-----------------|----|----------------|----------------|-----------------|----|----------|
| Code | Description | D | L | d ₁ | l ₂ | d _{6H} | h | g |
| 3001 | B.259/20 B-M5 | 21 | 25 | 13 | 12 | M5 | 16 | 12 |
| 3002 | B.259/20 B-M6 | 21 | 25 | 13 | 12 | M6 | 16 | 11 |
| 3111 | B.259/25 B-M6 | 26 | 28 | 16 | 15 | M6 | 16 | 18 |
| 3112 | B.259/25 B-M8 | 26 | 28 | 16 | 15 | M8 | 20 | 19 |
| 3201 | B.259/30 B-M6 | 31 | 32 | 19 | 17 | M6 | 16 | 25 |
| 3202 | B.259/30 B-M8 | 31 | 32 | 19 | 17 | M8 | 20 | 28 |
| 3203 | B.259/30 B-M10 | 31 | 32 | 19 | 17 | M10 | 17 | 29 |

| Standard Elements | | Main dimensions | | | | Threaded stud | | Δ |
|-------------------|------------------|-----------------|----|----------------|----------------|-----------------|----|----------|
| Code | Description | D | L | d ₁ | l ₂ | d _{6g} | l | g |
| 3011 | B.259/20 p-M6x16 | 21 | 25 | 13 | 12 | M6 | 16 | 13 |
| 3121 | B.259/25 p-M8x20 | 26 | 28 | 16 | 15 | M8 | 20 | 25 |
| 3211 | B.259/30 p-M8x25 | 31 | 32 | 19 | 17 | M8 | 25 | 38 |