

B.259

ELESA Original design

Knurled grip knobs



- **Material**
Phenolic based (PF) Duroplast. Resistant to solvents, oils, greases and other chemical agents.
- **Colour**
Black, glossy finish.
- **Assembly**
Brass boss, tapped blind hole.

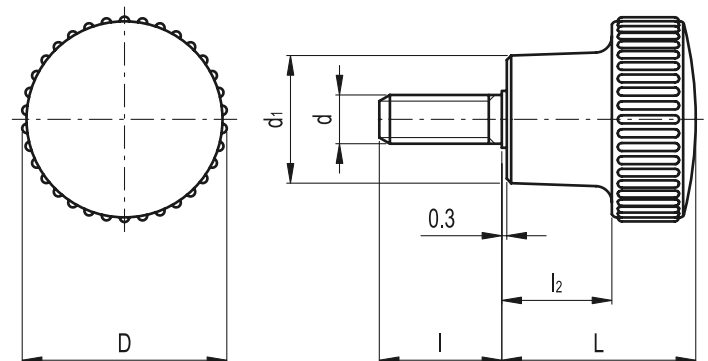
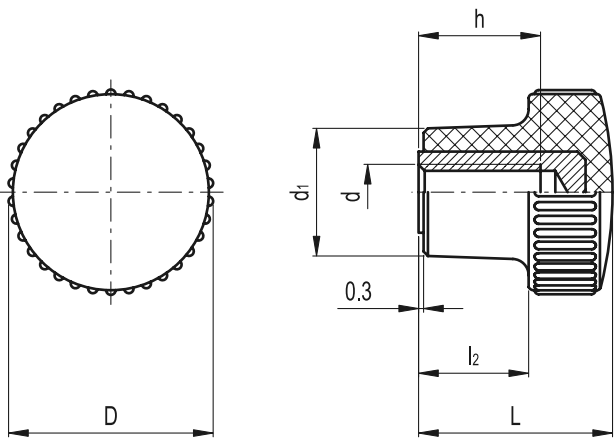
B.259 p

ELESA Original design

Knurled grip knobs



- **Material**
Phenolic based (PF) Duroplast. Resistant to solvents, oils, greases and other chemical agents.
- **Colour**
Black, glossy finish.
- **Assembly**
Zinc-plated steel threaded stud, chamfered flat end according to UNI 947 : ISO 4753 (see Technical Data on page A11).



Standard Elements		Main dimensions				Mounting hole		Δ
Code	Description	D	L	d ₁	l ₂	d _{6H}	h	g
3001	B.259/20 B-M5	21	25	13	12	M5	16	12
3002	B.259/20 B-M6	21	25	13	12	M6	16	11
3111	B.259/25 B-M6	26	28	16	15	M6	16	18
3112	B.259/25 B-M8	26	28	16	15	M8	20	19
3201	B.259/30 B-M6	31	32	19	17	M6	16	25
3202	B.259/30 B-M8	31	32	19	17	M8	20	28
3203	B.259/30 B-M10	31	32	19	17	M10	17	29

Standard Elements		Main dimensions				Threaded stud		Δ
Code	Description	D	L	d ₁	l ₂	d _{6g}	l	g
3011	B.259/20 p-M6x16	21	25	13	12	M6	16	13
3121	B.259/25 p-M8x20	26	28	16	15	M8	20	25
3211	B.259/30 p-M8x25	31	32	19	17	M8	25	38

2

186

Clamping knobs