

# B.259 CLEAN CLEAN INOX Stainless Steel

ELESA Original design

## Knurled grip knobs



- **Material**  
Painted phenolic based (PF) Duroplast.
- **Colour**  
White similar to RAL 9002, glossy finish.
- **Assembly**  
AISI 303 stainless steel boss, tapped blind hole.

### Features and applications

This knob, thanks to its white colour and glossy finish, is particularly suitable for applications on medical and hospital equipment and on food processing machines whose parts, for hygienic reasons, must be frequently cleaned. Its solid shape without cavities prevents unhealthy residues from depositing. The metal insert in AISI 303 stainless steel can be used in sectors where corrosion resistant materials are required.



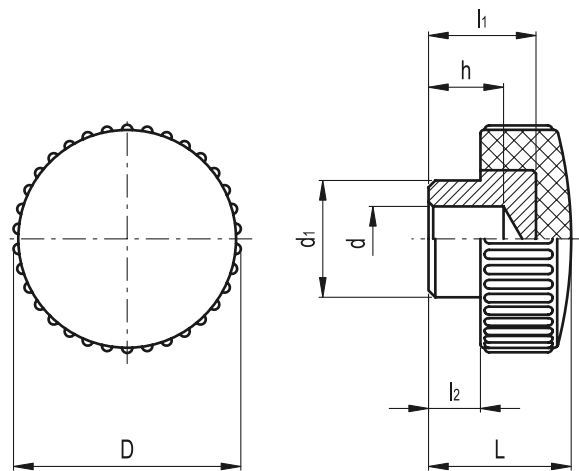
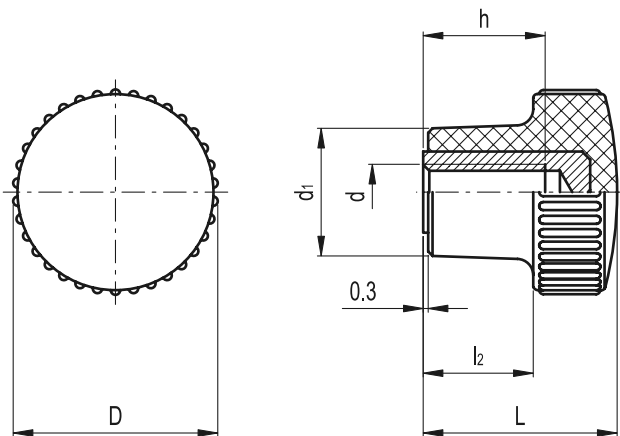
# B.220

ELESA Original design

## Knurled grip knobs



- **Material**  
Phenolic based (PF) Duroplast. Resistant to solvents, oils, greases and other chemical agents.
- **Colour**  
Black, glossy finish.
- **Assembly**  
Black-oxide steel hub, plain blind hole.



Standard Elements		Main dimensions				Mounting hole		⚖
Code	Description	D	L	d1	l2	d 6H	h	g
151102	B.259/20 S-M6 CLEAN	21	25	13	12	M6	12	11
151112	B.259/25 S-M8 CLEAN	26	28	16	15	M8	13	19
151123	B.259/30 S-M10 CLEAN	31	32	19	17	M10	17	29

Standard Elements		Main dimensions				Mounting hole		⚖	
Code	Description	D	L	d1	l1	l2	d H9	h	g
2901	B.220/35	35	21	18	15	8	10	10	37