

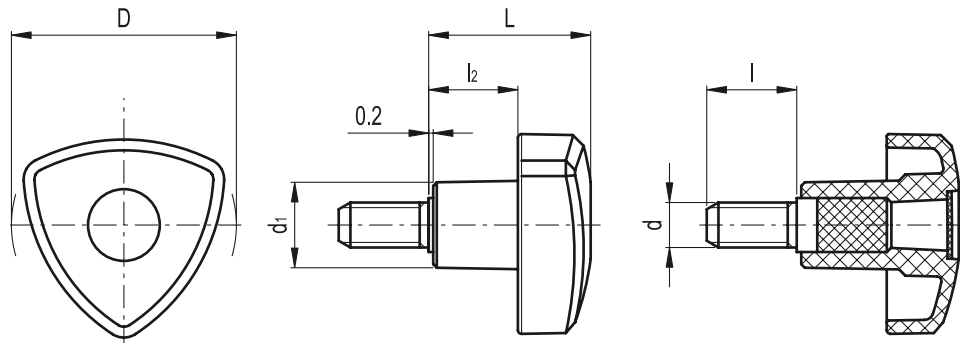
VTR.p

ELESA Original design

Lock knobs



- **Material**
Polyamide based (PA) technopolymer. Resistant to solvents, oils, greases and other chemical agents.
- **Colour**
Black, glossy finish.
- **Plate**
Matte anodised aluminium.
- **Assembly**
Zinc-plated steel threaded stud, chamfered flat end according to UNI 947 : ISO 4753 (see Technical Data on page A11).



Standard Elements		Main dimensions				Threaded stud		⚖
Code	Description	D	L	d ₁	l ₂	d _{6g}	l	g
83041	VTR.32 p-M5x10	32	26	14	16	M5	10	9
83042	VTR.32 p-M5x20	32	26	14	16	M5	20	10
83043	VTR.32 p-M5x40	32	26	14	16	M5	40	13
83051	VTR.32 p-M6x10	32	26	14	16	M6	10	10
83052	VTR.32 p-M6x20	32	26	14	16	M6	20	13
83053	VTR.32 p-M6x40	32	26	14	16	M6	40	15
83441	VTR.40 p-M6x10	40	30	16	17	M6	10	14
83442	VTR.40 p-M6x20	40	30	16	17	M6	20	15
83443	VTR.40 p-M6x40	40	30	16	17	M6	40	19
83451	VTR.40 p-M8x16	40	30	16	17	M8	16	19
83452	VTR.40 p-M8x30	40	30	16	17	M8	30	25
83453	VTR.40 p-M8x50	40	30	16	17	M8	50	30
83841	VTR.50 p-M8x16	50	35	19	19	M8	16	28
83842	VTR.50 p-M8x30	50	35	19	19	M8	30	32
83843	VTR.50 p-M8x50	50	35	19	19	M8	50	37
83851	VTR.50 p-M10x20	50	35	19	19	M10	20	35
83852	VTR.50 p-M10x30	50	35	19	19	M10	30	40
83853	VTR.50 p-M10x50	50	35	19	19	M10	50	50
84241	VTR.60 p-M10x20	60	41	22	22	M10	20	46
84242	VTR.60 p-M10x30	60	41	22	22	M10	30	48
84243	VTR.60 p-M10x50	60	41	22	22	M10	50	60
84251	VTR.60 p-M12x20	60	41	22	22	M12	20	57
84252	VTR.60 p-M12x30	60	41	22	22	M12	30	65
84253	VTR.60 p-M12x50	60	41	22	22	M12	50	80