

VTR.N

ELESA Original design

Lock knobs

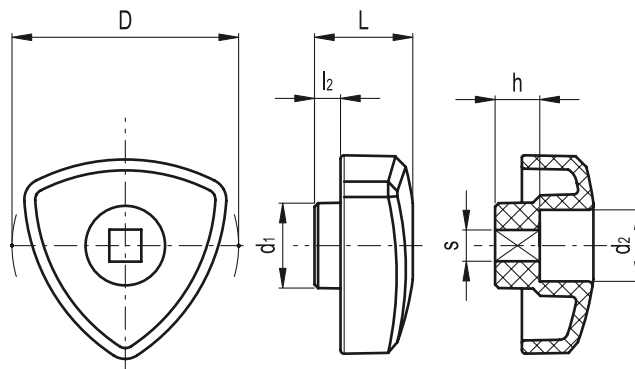


- **Material**
Polyamide based (PA) technopolymer. Resistant to solvents, oils, greases and other chemical agents.
- **Colour**
Black, glossy finish.
- **Assembly**
Square hole.

2

163

Clamping knobs



Standard Elements		Main dimensions					Mounting hole		Δ
Code	Description	D	L	d1	d2	l2	s H9	h	g
83031	VTR.32 N-5x5	32	14	14	10	4	5x5	6	4
83431	VTR.40 N-6x6	40	18	16	12	5	6x6	8	7
83831	VTR.50 N-6x6	50	22	19	16	6	6x6	10	12
83836	VTR.50 N-7x7	50	22	19	16	6	7x7	10	11
84231	VTR.60 N-7x7	60	26	22	19	7	7x7	12	18