

## Lock knobs



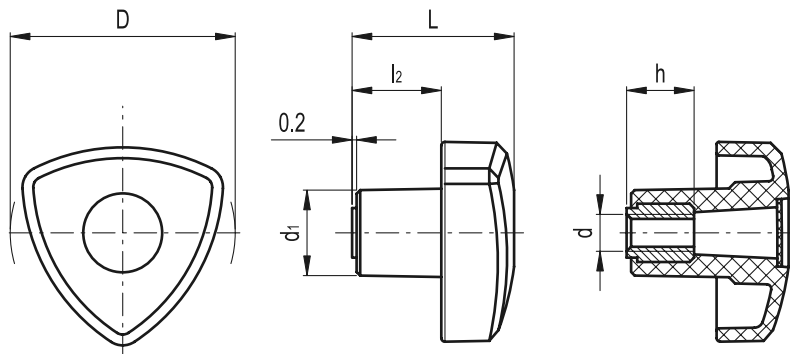
- **Material**  
Polyamide based (PA) technopolymer. Resistant to solvents, oils, greases and other chemical agents.
- **Colour**  
Black, orange, glossy finish.
- **Plate**  
Matte anodised aluminium.
- **Assembly**  
Brass boss, tapped blind hole.



2

176

Clamping knobs



RAL 9005

RAL 2004

Standard Elements			Main dimensions				Mounting hole		⚖
Black	Orange	Description	D	L	d <sub>1</sub>	l <sub>2</sub>	d 6H	h	g
Code									
83001	83002	VTR.32 B-M5*	32	26	14	16	M5	10	7
83011	83012	VTR.32 B-M6*	32	26	14	16	M6	12	9
83401	83402	VTR.40 B-M6*	40	30	16	17	M6	12	11
83411	83412	VTR.40 B-M8*	40	30	16	17	M8	14	13
83801	83802	VTR.50 B-M8*	50	35	19	19	M8	14	18
83811	83812	VTR.50 B-M10*	50	35	19	19	M10	16	22
84201	84202	VTR.60 B-M10*	60	41	22	22	M10	16	30
84211	84212	VTR.60 B-M12*	60	41	22	22	M12	18	32

\* Complete the description of the standard item needed by adding one of the colours listed in the code column.



**eleSA-GANTER**

ELESA and GANTER models all rights reserved in accordance with the law. Always mention the source when reproducing our drawings.