

VTR.FP

ELESA Original design

Lock knobs



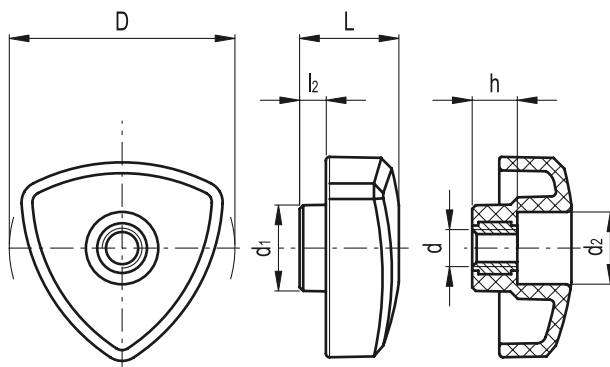
- **Material**
Polyamide based (PA) technopolymer. Resistant to solvents, oils, greases and other chemical agents.
- **Colour**
Black, glossy finish.
- **Assembly**
Brass boss, tapped through hole.



2

175

Clamping knobs



Standard Elements		Main dimensions					Mounting hole		△
Code	Description	D	L	d ₁	d ₂	l ₂	d 6H	h	g
83021	VTR.32 FP-M5	32	14	14	10	4	M5	6	5
83421	VTR.40 FP-M6	40	18	16	12	5	M6	8	8
83821	VTR.50 FP-M8	50	22	19	16	6	M8	10	14
84221	VTR.60 FP-M10	60	26	22	19	7	M10	12	22