

VL.155 p

ELESA Original design

Lobe knobs



- **Material**

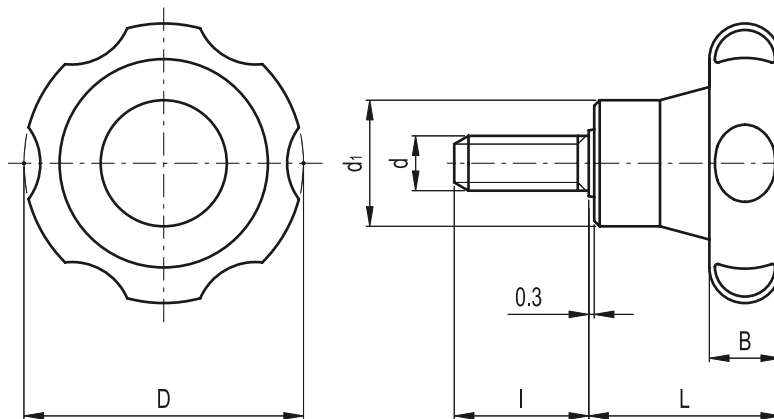
Phenolic based (PF) Duroplast. Resistant to solvents, oils, greases and other chemical agents.

- **Colour**

Black, glossy finish.

- **Assembly**

Zinc-plated steel threaded stud, chamfered flat end according to UNI 947 : ISO 4753 (see Technical Data on page A11).



Standard Elements		Main dimensions				Threaded stud		△△
Code	Description	D	L	B	d ₁	d _{6g}	l	g
75031	VL.155/50 p-M8x25	51	34	12	23	M8	25	48
75032	VL.155/50 p-M8x40	51	34	12	23	M8	40	52
75041	VL.155/50 p-M10x30	51	34	12	23	M10	30	62
75042	VL.155/50 p-M10x50	51	34	12	23	M10	50	73
75141	VL.155/60 p-M8x30	61	38	16	25	M8	30	77
75151	VL.155/60 p-M10x30	61	38	16	25	M10	30	82
75261	VL.155/70 p-M10x30	69	42	18	27	M10	30	100
75262	VL.155/70 p-M10x50	69	42	18	27	M10	50	110
75271	VL.155/70 p-M12x25	69	42	18	27	M12	25	110
75272	VL.155/70 p-M12x50	69	42	18	27	M12	50	135
75341	VL.155/80 p-M12x30	82	48	19	33	M12	30	155
75342	VL.155/80 p-M12x50	82	48	19	33	M12	50	180



elesa-ganter

ELESA and GANTER models all rights reserved in accordance with the law. Always mention the source when reproducing our drawings.