

VL.140

ELESA Original design

Lobe knobs



- **Material**

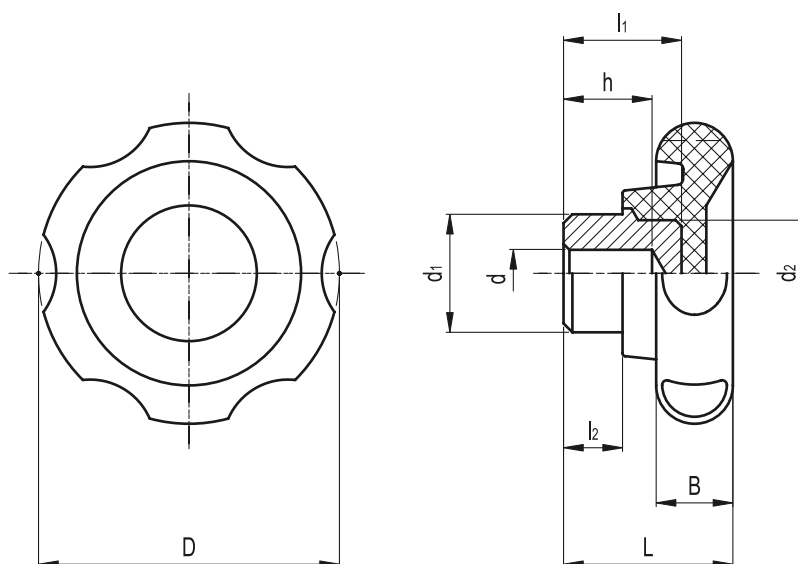
Phenolic based (PF) Duroplast. Resistant to solvents, oils, greases and other chemical agents.

- **Colour**

Black, glossy finish.

- **Assembly**

Black-oxide steel hub, pre-drilled blind hole.



Standard Elements		Main dimensions							Hole dimensions			△△
Code	Description	D	L	B	d ₁	d ₂	l ₁	l ₂	d -0.1	h	g	
74101	VL.140/50	51	29	13	20	18	20	10	6	15	67	
74201	VL.140/60	61	32	16	20	18	20	10	6	15	87	
74301	VL.140/70	69	36	18	24	20	23	12	6	15	126	
74401	VL.140/80	82	40	19	24	20	23	12	6	15	160	
74501	VL.140/100	99	44	20	36	30	31	14	8	22	325	
74601	VL.140/130	129	47	22	40	40	30	13	8	20	500	