

VCTS-Z

ELESA Original design

Adjustable lobe knobs (with push action)



• Knob

Glass-fibre reinforced polyamide based (PA) technopolymer. Resistant to solvents, oils, greases and other chemical agents. Built-in zinc alloy toothed insert for coupling to the metal clamping element.

• Colour

Black, matte finish.

• Centre cap

Black technopolymer centre cap. On request and for sufficient quantities, it can be supplied in other colours or with customised graphic symbols, marks or writings.

• Clamping element

Black-oxide steel with threaded bore and toothed element for coupling to the built-in zinc alloy insert, black-oxide steel retaining screw and AISI 302 stainless steel return spring.

Features and applications

Particularly suitable for all those applications which require the knob to turn freely so as to avoid that clamping may be accidentally compromised.

Instructions

Press the knob to engage the tothing and turn it.

By releasing the knob the spring releases the tothing, thus the knob returns to the free position.

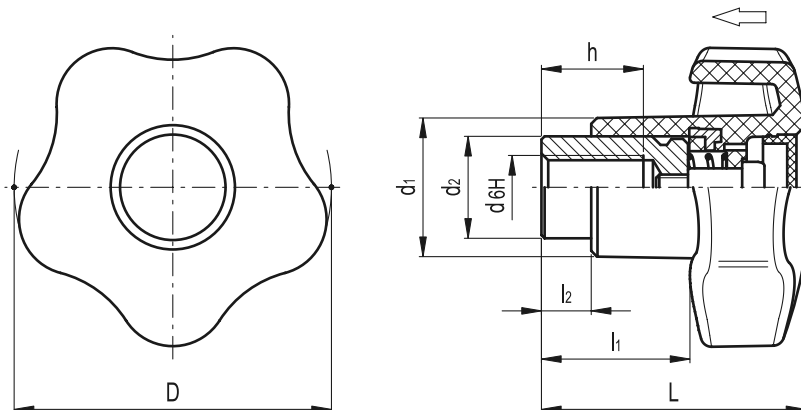
Ergonomy and design

The particular design of this knob follows rigorous ergonomic standards: five-lobe shape, blended radius, well proportioned rim height offer a natural, safe and comfortable grip, allowing the operator to obtain a strong clamping action.

2

154

Clamping knobs



Standard Elements		Main dimensions						Mounting hole		Teeth no.	\triangle/\triangle
Code	Description	D	L	d ₁	d ₂	l ₁	l ₂	d 6H	h	z	g
169631	VCTS-Z-40 A-M6	40	37	18	13.5	22	7	M6	10	24	36
169632	VCTS-Z-40 A-M8	40	37	18	13.5	22	7	M8	10	24	34
169642	VCTS-Z-50 A-M8	50	42	22	16	23	8	M8	14	26	54
169643	VCTS-Z-50 A-M10	50	42	22	16	23	8	M10	14	26	52



eleSA-GANTER

ELESA and GANTER models all rights reserved in accordance with the law. Always mention the source when reproducing our drawings.