

VCT.AE-V0



ELESA Original design

Lobe knobs



- **Material**

Glass-fibre reinforced polyamide based (PA) technopolymer certified self-extinguishing **UL-94 V0**. Resistant to solvents, oils, greases and other chemical agents.

- **Colour**

Black, matte finish.

- **Assembly**

Brass boss with tapped blind hole (VCT.25) or through hole (VCT. from 32 to 50).

- **Centre cap**

Glass-fibre reinforced technopolymer certified self-extinguishing **UL-94 V0**, black colour, matte finish, supplied assembled.

Technical data

In long-term thermal ageing tests, with a maximum decrease in critical mechanical properties by 50%, the relative temperature index UL 746 B (RTI) was equal to 65.

The "V0" certification in accordance with UL-94 V (Underwriters Laboratories) (see page A5) indicates that on a plastic test sample with specific shape and dimensions, in the vertical position, the flame is extinguished within 10 seconds, without generating any incandescent drops.

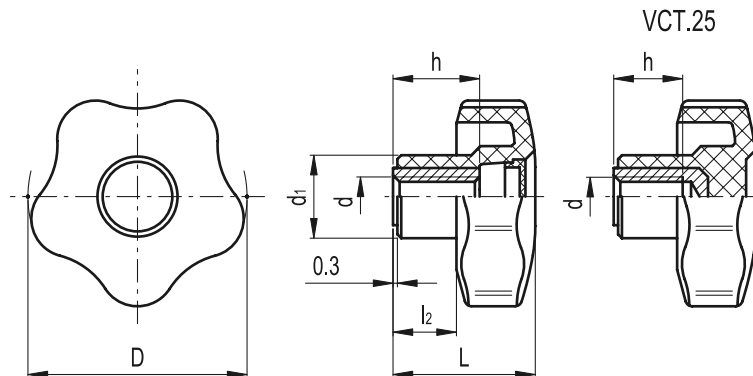
Ergonomy and design

The particular design of this knob follows rigorous ergonomic standards: five-lobe shape, blended radius, well proportioned rim height offer a natural, safe and comfortable grip, allowing the operator to obtain a strong clamping action.

2

135

Clamping knobs



Standard Elements		Main dimensions				Mounting hole		\triangle/\triangle
Code	Description	D	L	d ₁	l ₂	d 6H	h	g
150534	VCT.25 AE-V0 B-M5	25	19	13	8	M5	10	6
150544	VCT.32 AE-V0 B-M6	32	23	15	10	M6	12	11
150564	VCT.40 AE-V0 B-M8	40	27	17	12	M8	18	24
150584	VCT.50 AE-V0 B-M10	50	32	19	14	M10	26	34