

VCR.192

ELESA Original design

Lobe knobs with square hole

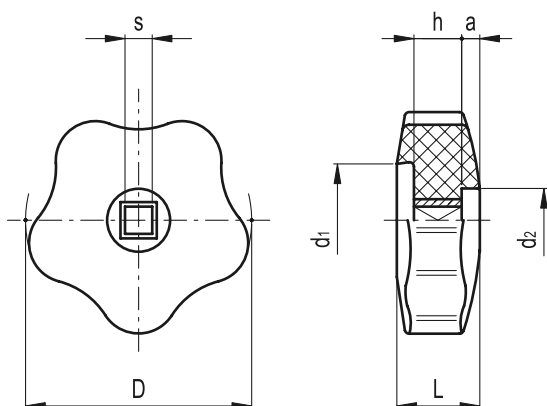


- **Material**
Phenolic based (PF) Duroplast. Resistant to solvents, oils, greases and other chemical agents.
- **Colour**
Black, glossy finish.
- **Assembly**
Square through hole with brass reinforcement.

Features

Special front housing (d2) for hexagon blind nut with spherical cap UNI 5721-69.

The exclusive five-lobe shape (ELESA original design) offers the operator's fingers a proper grip and prevents unhealthy residues from depositing thanks to its solid shape without cavities.



Standard Elements		Main dimensions					Mounting hole		△△
Code	Description	D	L	d1	d2	a	s H9	h	g
69001	VCR.192/40-6x6	40	15	21	14	4	6x6	10	21
69101	VCR.192/50-6x6	50	18	24	14	5	6x6	10	33
69111	VCR.192/50-7x7	50	18	24	14	5	7x7	10	31
69201	VCR.192/60-6x6	60	20	29	16	4	6x6	10	52
69211	VCR.192/60-7x7	60	20	29	16	4	7x7	10	50
69221	VCR.192/60-8x8	60	20	29	16	4	8x8	10	48
69301	VCR.192/70-7x7	70	22	35	18	5	7x7	14	83
69311	VCR.192/70-8x8	70	22	35	18	5	8x8	14	78
69401	VCR.192/85-7x7	85	25	45	18	8	7x7	14	136
69411	VCR.192/85-8x8	85	25	45	18	8	8x8	14	127
69421	VCR.192/85-9x9	85	25	45	18	8	9x9	14	126
69501	VCR.192/100-8x8	100	28	57	18	6	8x8	14	168
69511	VCR.192/100-10x10	100	28	57	18	6	10x10	14	166

VCR.372

ELESA Original design

Lobe knobs with square hole

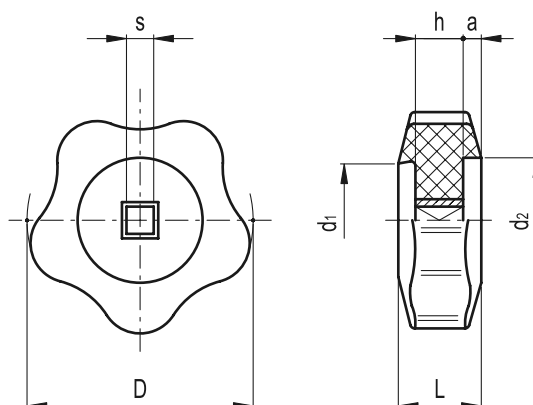


- **Material**
Phenolic based (PF) Duroplast. Resistant to solvents, oils, greases and other chemical agents.
- **Colour**
Black, glossy finish.
- **Assembly**
Square through hole with brass reinforcement.

Features

Special front housing (d2) for fitting plates with operating symbols, marks, etc....

The exclusive five-lobe shape (ELESA original design) offers the operator's fingers a proper grip and prevents unhealthy residues from depositing thanks to its solid shape without cavities.



Standard Elements		Main dimensions					Mounting hole		△△
Code	Description	D	L	d1	d2	a	s H9	h	g
69701	VCR.372/60-7x7	60	18	29	34	3	7x7	10	47
69801	VCR.372/70-8x8	70	21	35	35	4	8x8	14	80