

## Lobe knobs



- **Material**  
Glass-fibre reinforced polyamide based (PA) technopolymer. Resistant to solvents, oils, greases and other chemical agents.
- **Colour**  
White similar to RAL 9002, matte finish.
- **Assembly**  
AISI 303 stainless steel boss, tapped blind hole.

### Features and applications

The exclusive five-lobe shape (ELESA original design) offers the operator's fingers a proper grip and prevents unhealthy residues from depositing thanks to its solid shape without cavities. This knob, thanks to its white colour, is particularly suitable for applications on medical and hospital equipment and on food processing machines whose parts, for hygienic reasons, must be frequently cleaned. The metal insert in AISI 303 stainless steel can be used in sectors where corrosion resistant materials are required.

## Chrome-plated lobe knobs



- **Material**  
Glass-fibre reinforced polyamide based (PA) technopolymer, chrome-plated, semi-glossy finish.
- **Assembly**  
Brass boss, tapped blind hole.

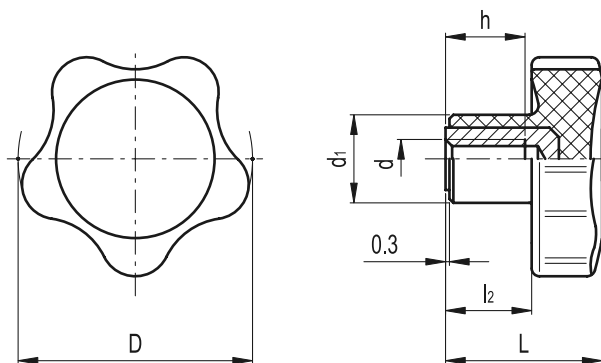
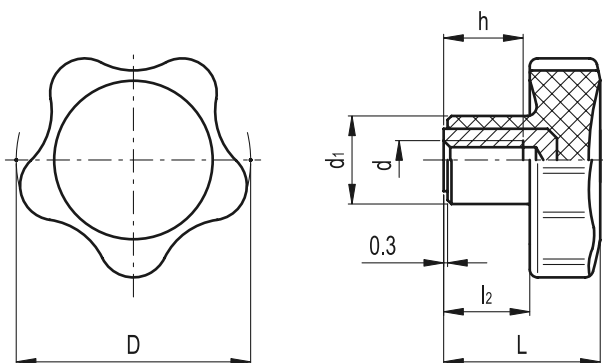
### Features and applications

The exclusive five-lobe shape (ELESA original design) offers the operator's fingers a proper grip and prevents unhealthy residues from depositing thanks to its solid shape without cavities. Moreover the chrome-plating makes the surface finish semi-glossy and homogeneous to facilitate cleaning operations.

### Chemical agents resistance

This knob is particularly suitable for out-door environments subject to unfavourable weather conditions, for example in the marine environment, and in general for applications on machines and equipment whose parts need frequent cleaning cycles, for hygienic reasons, also using water sprays or steam.

The chrome-plated surface is resistant to wear, scrapes and shocks. In laboratory tests carried out at ambient temperature (23°C), the chrome-plated surface revealed to be resistant to: sea water, detergents, acetone, ethyl alcohol, formic acid, chlorine solutions.



Standard Elements		Main dimensions				Mounting hole		⚖
Code	Description	D	L	d <sub>1</sub>	l <sub>2</sub>	d <sub>6H</sub>	h	g
151702	VC.692/32 S-M6-CLEAN	32	22.5	14	12.5	M6	10	15
151712	VC.692/40 S-M8-CLEAN	40	26	15	14	M8	13	24
151722	VC.692/50 S-M10-CLEAN	50	31	18	17	M10	17	42
151732	VC.692/60 S-M12-CLEAN	60	36.5	21	21	M12	20	54

Standard Elements		Main dimensions				Mounting hole		⚖
Code	Description	D	L	d <sub>1</sub>	l <sub>2</sub>	d <sub>6H</sub>	h	g
152702	VC.692/32-CR-B-M6	32	22.5	14	12.5	M6	10	14
152712	VC.692/40-CR-B-M8	40	26	15	14	M8	13	23
152722	VC.692/50-CR-B-M10	50	31	18	17	M10	17	40
152731	VC.692/60-CR-B-M10	60	36.5	21	21	M10	20	63