

VC.192

ELESA Original design

Lobe knobs



Material

Phenolic based (PF) Duroplast. Resistant to solvents, oils, greases and other chemical agents.

Colour

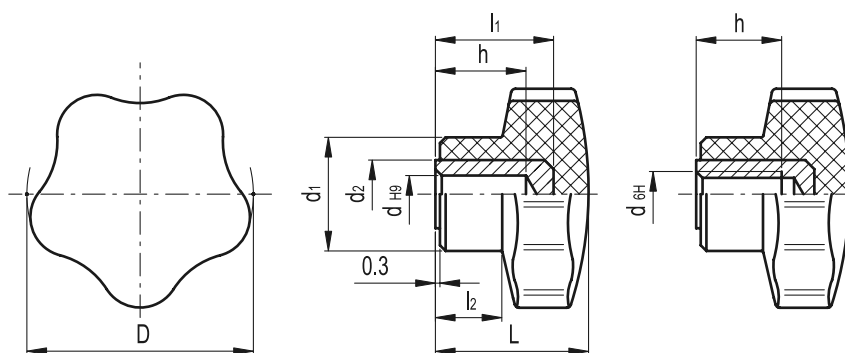
Black, glossy finish.

Assembly

- Execution **A**: black-oxide steel boss, plain blind hole.
- Execution **B**: brass boss, plain or tapped blind hole.

Features

The exclusive five-lobe shape (ELESA original design) offers the operator's fingers a proper grip and prevents unhealthy residues from depositing thanks to its solid shape without cavities.



Standard Elements		Main dimensions						Mounting hole			Bosses		△△
Code	Description	D	L	d ₁	d ₂	l ₁	l ₂	d H9	d 6H	h	Steel	Brass	g
66101	VC.192/25 B-4	25	21	15	11	14	9	4	-	11		•	15
66111	VC.192/25 B-M4	25	21	15	-	-	9	-	M4	10		•	11
66201	VC.192/30 B-6	32	23	19	12	17	11	6	-	14		•	23
66221	VC.192/30 B-M5	32	23	19	-	-	11	-	M5	10		•	16
66222	VC.192/30 B-M6	32	23	19	-	-	11	-	M6	12		•	19
66301	VC.192/40 B-6	40	27	21	12	17	12	6	-	14		•	35
66331	VC.192/40 B-8	40	27	21	12	18	12	8	-	14		•	32
66341	VC.192/40 B-M6	40	27	21	-	-	12	-	M6	12		•	27
66342	VC.192/40 B-M8	40	27	21	-	-	12	-	M8	13		•	31
66401	VC.192/50 A-6	50	33	25	15	23	14	6	-	18	•		65
66411	VC.192/50 A-8	50	33	25	15	25	14	8	-	20	•		57
66441	VC.192/50 A-10	50	33	25	16	25	14	10	-	21	•		60
66451	VC.192/50 B-6	50	33	25	15	23	14	6	-	18		•	67
66461	VC.192/50 B-8	50	33	25	15	25	14	8	-	20		•	65
66471	VC.192/50 B-M8	50	33	25	-	-	14	-	M8	20		•	50
66472	VC.192/50 B-M10	50	33	25	-	-	14	-	M10	17		•	52
66501	VC.192/60 A-6	60	37	27	18	28	17	6	-	20	•		104
66511	VC.192/60 A-8	60	37	27	15	25	17	8	-	20	•		89
66541	VC.192/60 A-10	60	37	27	18	31	17	10	-	25	•		100
66551	VC.192/60 B-M10	60	37	27	-	-	17	-	M10	17		•	76
66552	VC.192/60 B-M12	60	37	27	-	-	17	-	M12	20		•	80
66601	VC.192/70 A-8	70	44	30	20	35	20	8	-	26	•		165
66611	VC.192/70 A-10	70	44	30	18	31	20	10	-	25	•		135
66641	VC.192/70 B-M12	70	44	30	-	-	20	-	M12	20		•	119
66642	VC.192/70 B-M14	70	44	30	-	-	20	-	M14	20		•	122
66701	VC.192/85 A-8	85	55	35	22	38	30	8	-	25	•		240
66721	VC.192/85 B-M16	85	55	35	-	-	30	-	M16	22		•	176
66801	VC.192/100 A-8	100	60	38	22	38	31	8	-	25	•		310
66821	VC.192/100 B-M16	100	60	38	-	-	31	-	M16	22		•	255