

VC.192 S-INOX

VC.192 S-p-INOX **INOX** Stainless Steel

ELESA Original design

Lobe knobs



• Material

Phenolic based (PF) Duroplast. Resistant to solvents, oils, greases and other chemical agents.

• Colour

Black, glossy finish.

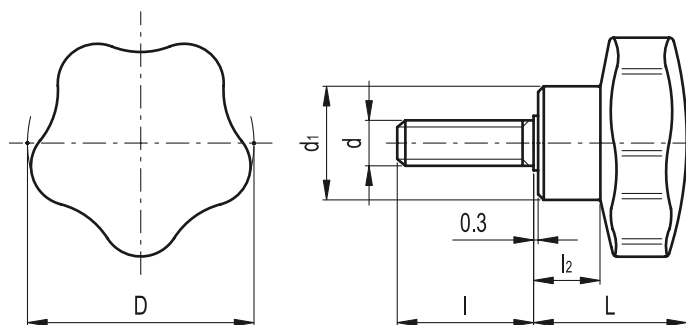
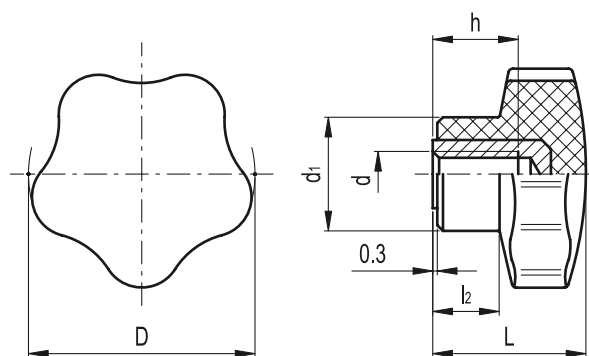
• Assembly

- VC.192 S-INOX: AISI 303 stainless steel boss, tapped blind hole.
- VC.192 S-p-INOX: AISI 303 stainless steel threaded stud, chamfered flat end according to UNI 947: ISO 4753 (see Technical Data on page A11).

Features and applications

The exclusive five-lobe shape (ELESA original design) offers the operator's fingers a proper grip and prevents unhealthy residues from depositing thanks to its solid shape without cavities.

AISI 303 stainless steel, thanks to its high resistance to corrosion, allows the application of these knobs on machines and equipment in those sectors where laws or particular hygienic, climatic and environmental factors make it mandatory to use corrosion resistant materials.



Standard Elements		Main dimensions				Mounting hole		⚖
Code	Description	D	L	d1	l2	d 6H	h	g
66226	VC.192/30 S-M6-INOX	32	23	19	11	M6	12	18
66346	VC.192/40 S-M8-INOX	40	27	21	12	M8	13	30
66476	VC.192/50 S-M10-INOX	50	33	25	14	M10	17	50
66556	VC.192/60 S-M12-INOX	60	37	27	17	M12	20	78

Standard Elements		Main dimensions				Threaded stud		⚖
Code	Description	D	L	d1	l2	d 6g	l	g
66261	VC.192/30 S-p-M6x10-INOX	32	23	19	11	M6	10	17
66262	VC.192/30 S-p-M6x16-INOX	32	23	19	11	M6	16	18
66263	VC.192/30 S-p-M6x20-INOX	32	23	19	11	M6	20	20
66268	VC.192/30 S-p-M6x35-INOX	32	23	19	11	M6	35	25
66381	VC.192/40 S-p-M8x20-INOX	40	27	21	12	M8	20	37
66382	VC.192/40 S-p-M8x25-INOX	40	27	21	12	M8	25	38
66383	VC.192/40 S-p-M8x30-INOX	40	27	21	12	M8	30	39
66384	VC.192/40 S-p-M8x35-INOX	40	27	21	12	M8	35	40
66388	VC.192/40 S-p-M8x45-INOX	40	27	21	12	M8	45	43
66496	VC.192/50 S-p-M10x20-INOX	50	33	25	14	M10	20	63
66497	VC.192/50 S-p-M10x30-INOX	50	33	25	14	M10	30	66
66498	VC.192/50 S-p-M10x40-INOX	50	33	25	14	M10	40	70
66499	VC.192/50 S-p-M10x50-INOX	50	33	25	14	M10	50	73
66591	VC.192/60 S-p-M12x30-INOX	60	37	27	17	M12	30	110
66593	VC.192/60 S-p-M12x40-INOX	60	37	27	17	M12	40	118
66595	VC.192/60 S-p-M12x50-INOX	60	37	27	17	M12	50	128
66671	VC.192/70 S-p-M12x70-INOX	70	44	30	20	M12	70	175