

VB.639 p

ELESA Original design

Three-arm knobs



- **Material**

Glass-fibre reinforced polyamide based (PA) technopolymer. Resistant to solvents, oils, greases and other chemical agents.

- **Colour**

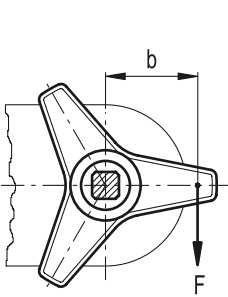
Black, matte finish.

- **Assembly**

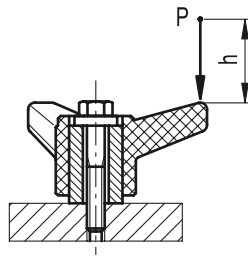
Zinc-plated steel threaded stud, chamfered flat end according to UNI 947 : ISO 4753 (see Technical Data on page A11).

Applications

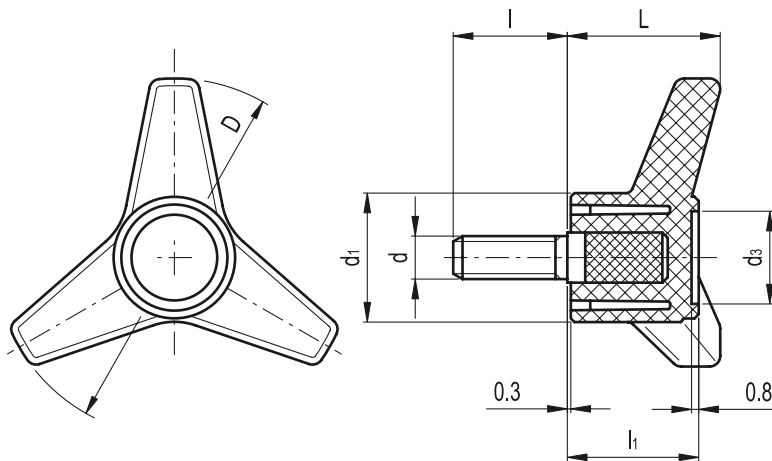
This knob has been designed for heavy duty work where the use of a hammer for a firmer clamping action is required.



$$C [Nm] = F [N] \cdot b [m]$$



$$L [J] = P [N] \cdot h [m]$$



Standard Elements		Main dimensions					Threaded stud		C #	L #	△△
Code	Description	D	L	d ₁	d ₃	l ₁	d _{6g}	l	[Nm]	[J]	g
65652	VB.639/63 p-M8x25	63	28	26	18	25	M8	25	30	7	44
65692	VB.639/80 p-M10x30	80	35	32	21	30	M10	30	80	7	78
65722	VB.639/100 p-M12x40	100	42	36	25	36	M12	40	110	8	126

See Technical Data (page A8) for maximum applicable torque (C) and impact strength (L).



eleSA-GANTER

ELESA and GANTER models all rights reserved in accordance with the law. Always mention the source when reproducing our drawings.