

# VB.639 FP

ELESA Original design

## Three-arm knobs



### • Material

Glass-fibre reinforced polyamide based technopolymer (PA) with the exception of VB.639/130 which is in glass-fibre reinforced polypropylene based (PP) technopolymer. Resistant to solvents, oils, greases and other chemical agents.

### • Colour

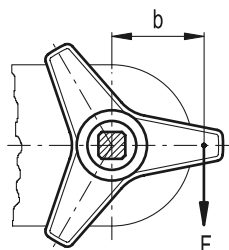
Black, matte finish.

### • Assembly

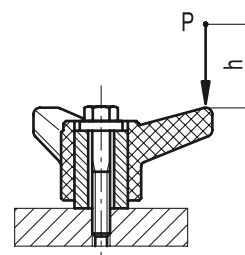
Brass boss, tapped through hole.

### Applications

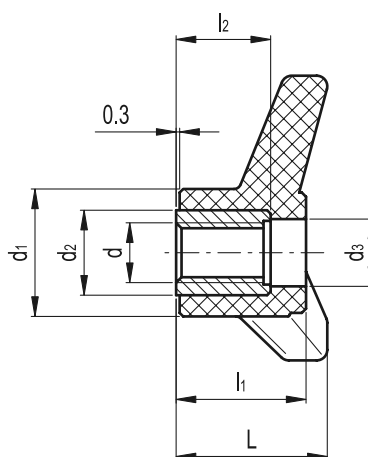
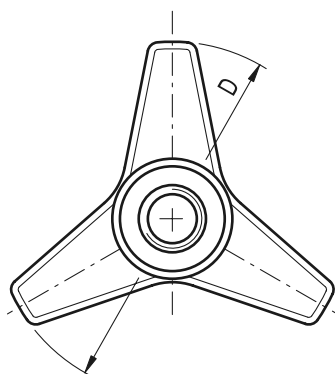
This knob has been designed for heavy duty work where the use of a hammer for a firmer clamping action is required.



$$C [Nm] = F [N] \cdot b [m]$$



$$L [J] = P [N] \cdot h [m]$$



Standard Elements		Main dimensions						Mounting hole		C #	L #	⚖
Code	Description	D	L	d <sub>1</sub>	d <sub>2</sub>	d <sub>3</sub>	l <sub>1</sub>	d 6H	l <sub>2</sub>	[Nm]	[J]	g
65641	VB.639/63 FP-M10	63	28	27	16	13	25	M10	21	30	7	47
65642	VB.639/63 FP-M12	63	28	27	16	13	25	M12	21	30	7	50
65681	VB.639/80 FP-M12	80	35	32	18	17	30	M12	25	80	7	77
65711	VB.639/100 FP-M16	100	42	36	20	20	37	M16	31	110	8	105
65751	VB.639/130 FP-M16	130	47	43	24	22	40	M16	34	135	9	157

# See Technical Data (page A8) for maximum applicable torque (C) and impact strength (L).