

VB.639

ELESA Original design

Three-arm knobs



Material

Glass-fibre reinforced polyamide based technopolymer (PA) with the exception of VB.639/130 which is in glass-fibre reinforced polypropylene based (PP) technopolymer. Resistant to solvents, oils, greases and other chemical agents.

Colour

Black, matte finish.

Assembly

- Execution **A**: black-oxide steel boss, plain blind hole.
- Execution **B**: brass boss, tapped blind hole.

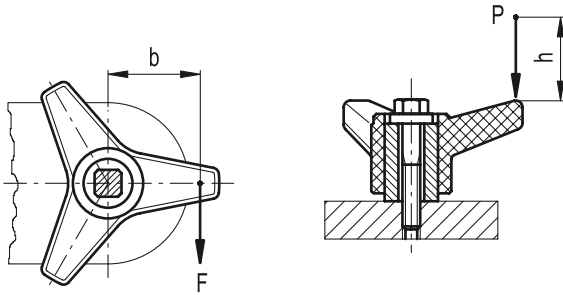


2
126

Clamping knobs

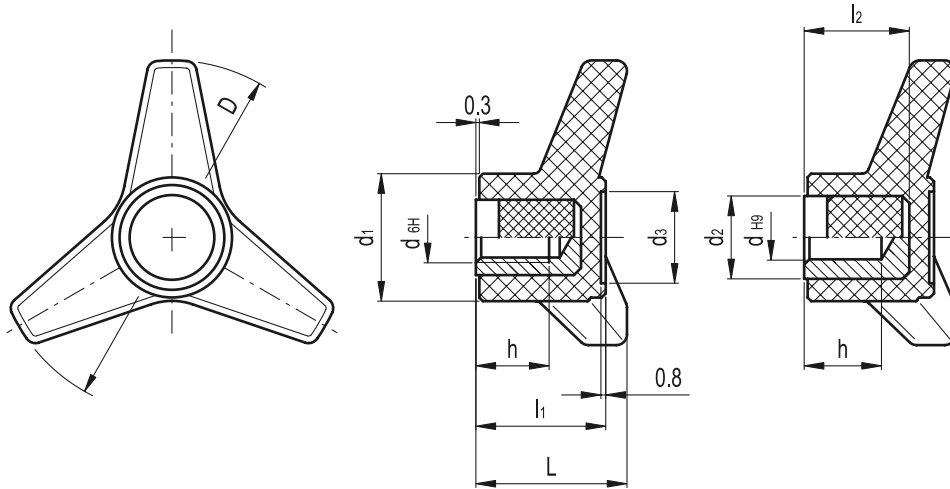
Applications

This knob has been designed for heavy duty work where the use of a hammer for a firmer clamping action is required.



$$C [Nm] = F [N] \cdot b [m]$$

$$L [J] = P [N] \cdot h [m]$$



Standard Elements		Main dimensions							Mounting hole			Bosses		C #	L #	⚖
Code	Description	D	L	d1	d2	d3	l1	l2	d H9	d 6H	h	Steel	Brass	[Nm]	[J]	g
65631	VB.639/63 A-6	63	28	26	15	18	25	23	6	-	18	•	•	30	7	55
65635	VB.639/63 B-M8	63	28	26	-	18	25	-	-	M8	15	•	•	30	7	48
65636	VB.639/63 B-M10	63	28	26	-	18	25	-	-	M10	17	•	•	30	7	40
65672	VB.639/80 A-8	80	35	32	15	21	30	25	8	-	20	•	•	80	6	75
65675	VB.639/80 B-M10	80	35	32	-	21	30	-	-	M10	17	•	•	80	6	60
65676	VB.639/80 B-M12	80	35	32	-	21	30	-	-	M12	17	•	•	80	6	67
65702	VB.639/100 A-10	100	42	36	20	25	36	25	10	-	21	•	•	110	8	130
65705	VB.639/100 B-M12	100	42	36	-	25	36	-	-	M12	20	•	•	110	8	96
65706	VB.639/100 B-M14	100	42	36	-	25	36	-	-	M14	20	•	•	110	8	105
65742	VB.639/130 A-12	130	47	43	20	29	40	31	12	-	24	•	•	135	9	180
65745	VB.639/130 B-M16	130	47	43	-	29	40	-	-	M16	22	•	•	135	9	162

See Technical Data (page A8) for maximum applicable torque (C) and impact strength (L).



eleSA-GANTER

ELESA and GANTER models all rights reserved in accordance with the law. Always mention the source when reproducing our drawings.