

# GN 6303.1

## Quick-tightening knurled knobs

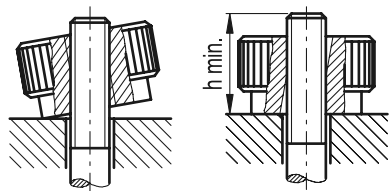
- **Material**  
Black-oxide steel.
- **Assembly**  
Through and oblique hole, partially tapped.

### Applications

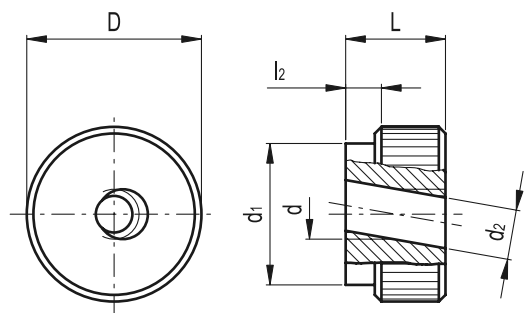
GN 6303.1 knurled knobs are used when quick tightening is required and with only a slight clamping force.

### Assembly instructions

The knob is placed in the axial position so that it fits onto the pin threads. At this point it can be locked with just a slight rotation.



Application examples  
The threaded pin must exceed length h



# GN 6336.3

## Quick-tightening lobe knobs

PA

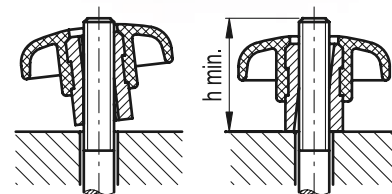
- **Material**  
Reinforced polyamide based (PA) technopolymer. Resistant to solvents, oils, greases and other chemical agents.
- **Colour**  
Black, matte finish.
- **Assembly**  
Zinc-plated steel hub with through and oblique hole, partially tapped.

### Applications

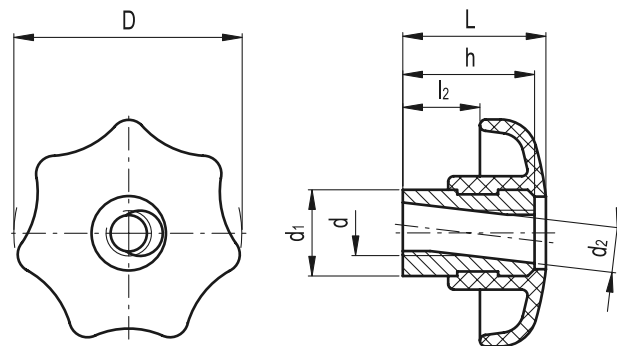
GN 6336.3 lobe knobs are used when quick tightening is required and with only a slight clamping force.

### Assembly instructions

The knob is placed in the axial position so that it fits onto the pin threads. At this point it can be locked with just a slight rotation.



Application examples  
The threaded pin must exceed length h



| Standard Elements | Main dimensions |    |                |                | Mounting hole |                |    | ⚖   |
|-------------------|-----------------|----|----------------|----------------|---------------|----------------|----|-----|
|                   | D               | L  | d <sub>1</sub> | l <sub>2</sub> | d             | d <sub>2</sub> | h  |     |
| Description       | D               | L  | d <sub>1</sub> | l <sub>2</sub> | d             | d <sub>2</sub> | h  | g   |
| GN 6303.1-M6      | 24              | 14 | 16             | 4              | M6            | 6.7            | 14 | 35  |
| GN 6303.1-M8      | 30              | 17 | 20             | 5              | M8            | 8.7            | 17 | 70  |
| GN 6303.1-M10     | 36              | 20 | 28             | 6              | M10           | 11             | 20 | 120 |

| Standard Elements | Main dimensions |    |                |                | Mounting hole |                |    | ⚖   |
|-------------------|-----------------|----|----------------|----------------|---------------|----------------|----|-----|
|                   | D               | L  | d <sub>1</sub> | l <sub>2</sub> | d             | d <sub>2</sub> | h  |     |
| Description       | D               | L  | d <sub>1</sub> | l <sub>2</sub> | d             | d <sub>2</sub> | h  | g   |
| GN 6336.3-40-M8   | 40              | 26 | 16             | 13             | M8            | 8.4            | 24 | 32  |
| GN 6336.3-50-M10  | 50              | 34 | 20             | 17             | M10           | 10.5           | 30 | 60  |
| GN 6336.3-63-M12  | 63              | 42 | 26             | 21             | M12           | 13             | 37 | 129 |



**ELESA-GANTER**

ELESA and GANTER models all rights reserved in accordance with the law. Always mention the source when reproducing our drawings.