

ELK.p

ERGOSTYLE®

ELESA Original design

Lobe knobs



- **Material**

Glass-fibre reinforced polyamide based (PA) technopolymer. Resistant to solvents, oils, greases and other chemical agents.

- **Colour**

Grey-black, matte finish.

- **Assembly**

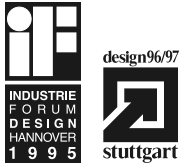
Zinc-plated steel threaded stud, chamfered flat end according to UNI 947 : ISO 4753 (see Technical Data on page A11).

- **Cap**

Technopolymer in Ergostyle colours, matte finish. Ultrasonically welded to the body of the knob.

Ergonomy and design

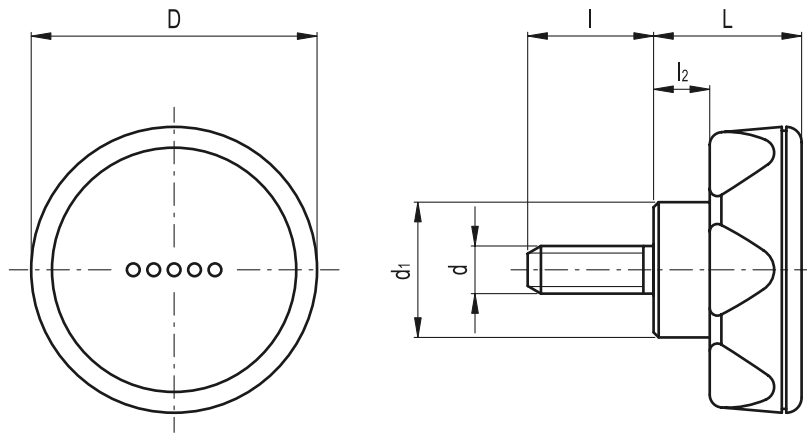
The slightly concave front surface and the rear finger grips guarantee an ergonomic position of the hand, allowing the operator to apply the maximum torque with the minimum force.



2

167

Clamping knobs



C1 RAL 7021 **C2** RAL 2004 **C3** RAL 7035 **C4** RAL 1021 **C5** RAL 5024 **C6** RAL 3000

Standard Elements		Main dimensions				Threaded stud		△△
Code	Description	D	L	d ₁	l ₂	d _{6g}	l	g
222221.*	ELK.45 p-M8x20.*	45	26	21	10	M8	20	33
222241.*	ELK.45 p-M8x30.*	45	26	21	10	M8	30	36
222406.*	ELK.56 p-M8x20.*	56	29	26.5	11	M8	20	46
222416.*	ELK.56 p-M8x30.*	56	29	26.5	11	M8	30	49
222426.*	ELK.56 p-M8x40.*	56	29	26.5	11	M8	40	52
222451.*	ELK.56 p-M10x20.*	56	29	26.5	11	M10	20	55
222461.*	ELK.56 p-M10x30.*	56	29	26.5	11	M10	30	61
222471.*	ELK.56 p-M10x40.*	56	29	26.5	11	M10	40	67
222616.*	ELK.70 p-M10x30.*	70	35	32.5	13	M10	30	83
222661.*	ELK.70 p-M12x50.*	70	35	32.5	13	M12	50	102

* Complete the code and the description of the standard item needed by adding the index of the colour of the cap (C1, ..., C6) ex: 222221-C2 ELK.45 p-M8x20-C2