

ELK.FP

ERGOSTYLE®

ELESA Original design

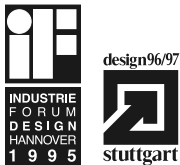
Lobe knobs



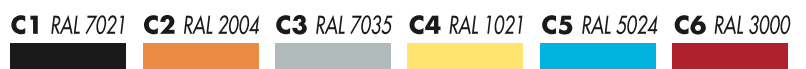
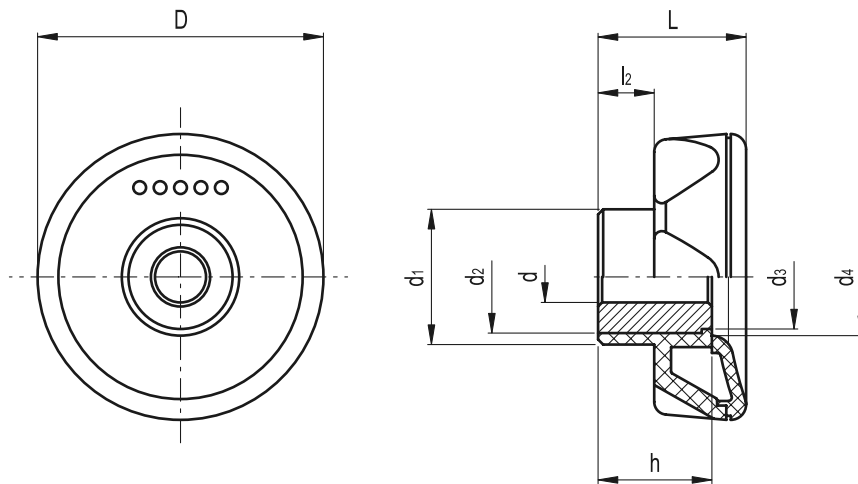
- **Material**
Glass-fibre reinforced polyamide based (PA) technopolymer. Resistant to solvents, oils, greases and other chemical agents.
- **Colour**
Grey-black, matte finish.
- **Assembly**
Black-oxide steel boss, H7 reamed through hole.
- **Cap with through hole**
Technopolymer in Ergostyle colours, matte finish. Ultrasonically welded to the body of the knob.

Ergonomy and design

The slightly concave front surface and the rear finger grips guarantee an ergonomic position of the hand, allowing the operator to apply the maximum torque with the minimum force.



2
165
Clamping knobs



Standard Elements		Main dimensions							Mounting hole		△△
Code	Description	D	L	d1	d2	d3	d4	l2	d H7	h	g
220416-*	ELK.56 FP-A-10-*	56	29	26.5	22	20.5	23	11	10	22	80
220616-*	ELK.70 FP-A-12-*	70	35	32.5	26	24	28	13	12	27	132

* Complete the code and the description of the standard item needed by adding the index of the colour of the cap (C1, ..., C6) ex: 220416-C2 ELK.56 FP-A-10-C2