

MT-AT+IR

ELESA Original design

Crank handles with fold-away handle



Material

Glass-fibre reinforced polyamide based (PA) technopolymer. Resistant to solvents, oils, greases and other chemical agents.

Colour

Black, matte finish.

Assembly

H9 reamed black-oxide steel boss.

Fold-away handle

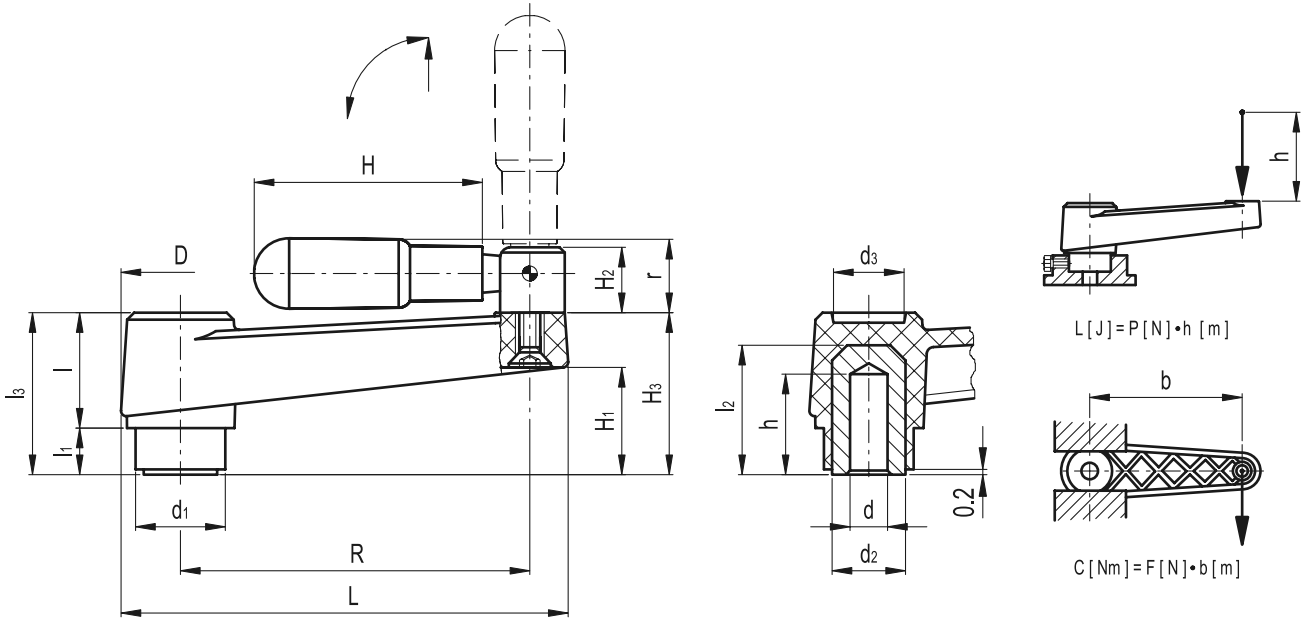
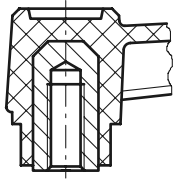
Type IR.620 (see page 404) in technopolymer.

Features and applications

The reticular structure of the crank arm and the technopolymer used make this handle very strong and therefore suitable for transmitting high torque values.

Special executions on request (For sufficient quantities)

Threaded brass boss.



Standard Elements		Main dimensions											Mounting hole		Handle			C #	L #	Δ	
Code	Description	R	L	D	d ₁	d ₃	l	l ₁	l ₃	d ₂	l ₂	H ₁	H ₃	d _{H9}	h	H	H ₂	r	[Nm]	[J]	g
44117	MT.64-AT+IR	64	86	26.5	20	16	22.5	9	31.5	15	25	17.5	31	8	20	45	14	16	120	11	89
44217	MT.80-AT+IR	80	106	30	24	17	26	11	37	18	31	23.5	37	10	25	60	14	16.5	200	15	130
44317	MT.100-AT+IR	100	128	33.5	24	21	30.5	10	40.5	18	31	25	39	12	24	65	18.5	20.5	210	27	200
44417	MT.130-AT+IR	130	162	39	34	25	35	14	49	26	43	34	49	14	30	65	18.5	20.5	350	45	330
44517	MT.160-AT+IR	160	197	44	34.5	27	39.5	15	54.5	26	43	36	54	16	30	80	18.5	22	470	55	370

See Technical Data (page A8) for maximum applicable torque (C) and impact strength (L).



eleSA-GANTER

ELESA and GANTER models all rights reserved in accordance with the law. Always mention the source when reproducing our drawings.