

MT-AS

ELESA Original design

Crank handles with revolving handle



Material

Glass-fibre reinforced polyamide based (PA) technopolymer. Resistant to solvents, oils, greases and other chemical agents.

Colour

Black, matte finish.

Assembly

- Black-oxide steel boss, H9 square through hole.
- For MT.50-AS H9 square through hole with brass reinforcement.

Revolving handle

Type I.601+x (see page 395) high-resilience polypropylene based (PP) technopolymer, black colour, matte finish.

Features and applications

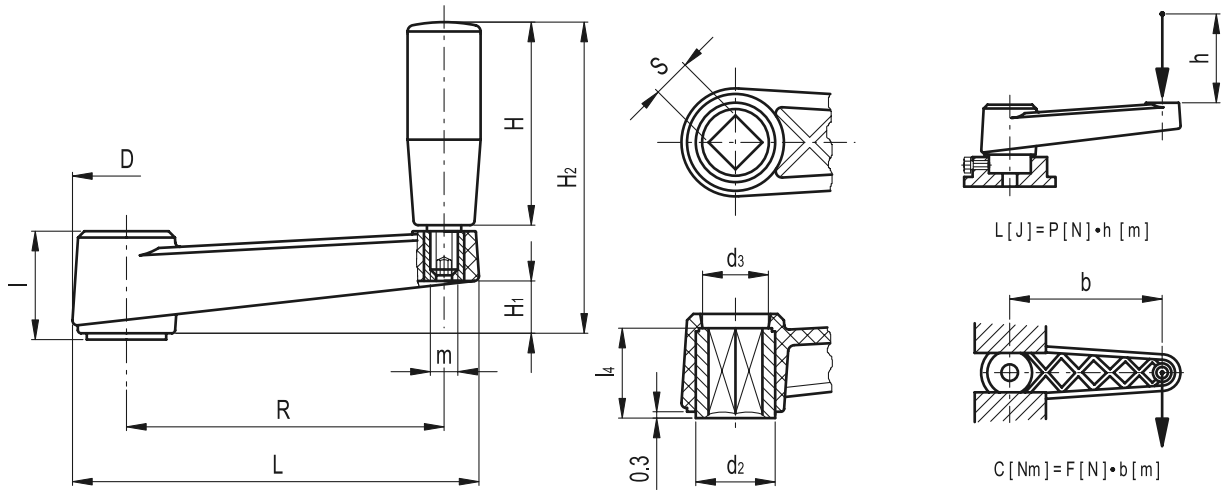
The reticular structure of the crank arm and the technopolymer used make this handle very strong and therefore suitable for transmitting high torque values.



Operating elements

1

110



Standard Elements		Main dimensions								Mounting hole		Handle		C #	L #	△△
Code	Description	R	L	D	d2	d3	l	H1	H2	S H9	l4	H	m	[Nm]	[J]	g
44052	MT.50 AS-6x6	50	69	23	-	13	21	10	49	6x6	18	28	-	60	7	35
44111	MT.64 AS-8x8	64	86	27	18	16	23	10	63	8x8	19	40	M6	120	11	78
44211	MT.80 AS-10x10	80	105	30	20	17	26	13	76	10x10	22	50	M6	180	15	105
44311	MT.100 AS-12x12	100	128	34	25	21	30	15	96	12x12	27	65	M8	200	27	190
44411	MT.130 AS-14x14	130	162	40	28	25	35	20	115	14x14	30	80	M8	350	45	255
44511	MT.160 AS-17x17	160	198	45	30	27	40	23	130	17x17	34	90	M10	450	55	335

See Technical Data (page A8) for maximum applicable torque (C) and impact strength (L).



eleSA-GANTER

ELESA and GANTER models all rights reserved in accordance with the law. Always mention the source when reproducing our drawings.